

# TANDBERG DLT4000



**TAPE BACKUP SYSTEM**  
Installation Guide

**PC-BACKUP-SYSTEME**  
Installations-Handbuch

**SOLUTION DE SAUVEGARDE**  
Manuel d'installation

**TANDBERG DATA ASA**  
P.O. Box 134 Kjelsås  
N-0411 OSLO, NORWAY  
Phone + 47 22 18 90 90  
Telefax + 47 22 18 95 50

© Tandberg Data ASA

Part No. 43 18 84-2  
Publ. No. 9116-2  
January 1999

**Related publications available from our Marketing Department:**

<b>Publ. No.</b>	<b>Part No.</b>	<b>Title</b>
9117	43 18 85	Tandberg DLT4000 Reference Manual
9118	43 18 86	Tandberg DLT4000 SCSI Interface - Functional Specifications

This publication may describe designs for which patents are granted or pending. By publishing this information, Tandberg Data ASA conveys no license under any patent or any other rights.

Every effort has been made to avoid errors in text and diagrams. However, Tandberg Data ASA assumes no responsibility for any errors which may appear in this publication.

It is the policy of Tandberg Data ASA to improve products as new techniques and components become available. Tandberg Data ASA therefore reserves the right to change specifications at any time.

We would appreciate any comments on this publication.

DLT, DLTtape, the DLTtape logo are trademarks of Quantum Corporation.

# Table of Contents

<b>1.</b>	<b>Overview and Features of the Tandberg DLT4000 Drive</b>	<b>1-1</b>
1.1.	<i>In This Chapter</i>	1
1.2.	<i>Product Overview</i>	1
1.3.	<i>Fast Data Transfer Rate</i>	2
1.4.	<i>High-Capacity and Compatibility</i>	2
1.5.	<i>Compaction</i>	3
1.6.	<i>Durable Media</i>	3
1.7.	<i>Compatibility</i>	3
1.8.	<i>Firmware Update Capability</i>	3
1.9.	<i>Embedded Diagnostics</i>	4
<b>2.</b>	<b>Installing and Configuring the Tandberg DLT4000 Drive</b>	<b>2-1</b>
2.1.	<i>In This Chapter</i>	1
2.2.	<i>Prepare for the Installation</i>	1
2.2.1.	<i>Before You Start</i>	1
2.2.2.	<i>Installation Setup</i>	2
2.2.3.	<i>Site Setup</i>	2
2.2.4.	<i>Site Guidelines</i>	2
2.3.	<i>Install the Drive</i>	4
2.4.	<i>Configure the Tandberg DLT4000 Tabletop</i>	5
2.4.1.	<i>Configuration Guidelines</i>	5
2.4.2.	<i>Disable Parity Checking</i>	5
2.4.3.	<i>Changing the SCSI ID</i>	5
2.5.	<i>Connect the Cables</i>	7
2.5.1.	<i>Examine the Tandberg DLT4000 Rear Panel</i>	7
2.5.2.	<i>Connect the SCSI Signal Cable</i>	8
2.5.3.	<i>Terminate the SCSI Bus</i>	8
2.5.4.	<i>Selecting the Correct AC Power Cord</i>	9
2.5.5.	<i>Connect the Power Cord</i>	10
2.6.	<i>Test the Installation</i>	11
2.6.1.	<i>Run POST</i>	11
2.6.2.	<i>What to Do after POST</i>	12
2.7.	<i>Tandberg DLT4000 Troubleshooting Chart</i>	13

<b>3.</b>	<b>Configuring and Operating the Tandberg DLT4000 Drive</b>	<b>3-1</b>
3.1.	<i>This Chapter</i>	1
3.2.	<i>Before You Install the Tandberg DLT4000 Drive</i>	1
3.2.1.	<i>Disabling Parity Checking (Default = Enabled)</i>	2
3.2.2.	<i>Changing the SCSI ID</i>	5
3.2.3.	<i>Setting the TRM PWR (Single-ended Only) Jumper (Default = Disabled)</i>	5
3.2.4.	<i>Locating the SCSI Cable and Power Connectors</i>	6
3.3.	<i>Overview of the Front Panel</i>	7
3.4.	<i>Selecting Density</i>	8
3.5.	<i>Description of Controls and Indicators</i>	11
3.5.1.	<i>Beeper</i>	11
3.5.2.	<i>Unload Button</i>	11
3.5.3.	<i>Cartridge Insert/Release Handle</i>	11
3.5.4.	<i>Indicator Action during Power-On Selftest and Operation</i>	12
3.6.	<i>Description of the Tape Cartridge</i>	16
3.6.1.	<i>Cartridge Write-Protect Switch</i>	16
3.6.2.	<i>Data Protection</i>	18
3.7.	<i>Loading a Cartridge</i>	19
3.7.1.	<i>Tape in Use</i>	21
3.8.	<i>Using the Cleaning Tape Cartridge (Tandberg Data Cleaning Cartridge P/N 43 18 78)</i>	22
3.9.	<i>Unloading a Cartridge</i>	23
3.10.	<i>Preserving Cartridges</i>	25
3.11.	<i>Firmware Update Procedure</i>	26
3.11.1.	<i>Updating the Firmware on the Tandberg DLT4000 Drive (Drive Only Configuration)</i>	27
3.11.1.1.	<i>Interpreting the Results (Tandberg DLT4000 Code Update)</i>	29

---

# 1.

## ***Overview and Features of the Tandberg DLT4000 Drive***

### **1.1. In This Chapter**

Chapter 1 includes the following main topics and sections:

<b>Topic</b>	<b>Section</b>
Product Overview	1.2.
Fast Data Transfer Rate	1.3.
High-Capacity	1.4.
Compaction	1.5.
Strong Media	1.6.
Compatibility	1.7.
Firmware Update Capability	1.8.
Embedded Diagnostics	1.9.

### **1.2. Product Overview**

The Tandberg DLT4000 Cartridge Tape Subsystem is a high-performance, high-capacity, streaming cartridge tape product designed for use on midrange and high-end computing systems. Using data compression and compaction, the Tandberg DLT4000 drive features a formatted capacity of 40 GB and a sustained user data transfer rate of 3.0 MB/s.

The Tandberg DLT4000 drive is a 5-1/4 inch form factor (9-inch depth), half-inch tape drive. The design includes a dual-channel read/write head, Lempel-Ziv (DLZ) high-efficiency data compression, and tape mark directory to maximize data throughput and minimize data access time.

The Tandberg DLT4000 drive is available as a drive kit or solution with S/W both in internal and external versions with either single-ended or differential 8-bit Wide SCSI-2 fast driver/receivers.

### 1.3. Fast Data Transfer Rate

Used for unattended backups or archiving, the Tandberg DLT4000 Subsystem, when operating in a non-compressed mode, has a maximum transfer rate of 1.5 MB/s (5.4 GB/hr). When operating in the compressed mode, the maximum transfer rate is 3.0 MB/s (10.8 GB/hr) write and over 2.5 MB/s (9.0 GB/hr) read.

### 1.4. High-Capacity and Compatibility

The Tandberg DLT4000 drive accepts the DLTtape™ IV cartridge. When this cartridge is used the amount of data you can store on the tape can be up to 20.0 GB native, or 40.0 GB of data using the compression mode. The actual amount of data stored in the compression mode is dependent on the data type. Compression can be selected on the drive front panel or from the host by using the SCSI MODE SELECT command.

The Tandberg DLT4000 drive also accepts the DLTtape™ III cartridge. When this cartridge is used the amount of data you can store on the tape can be up to 10.0 GB native, or 20.0 GB of data using the compression mode. The actual amount of data stored in the compression mode is dependent on the data type. Compression can be selected on the drive front panel or from the host by using the SCSI MODE SELECT command.

Finally the Tandberg DLT4000 drive accepts the DLTtape™ IIIxt cartridge. When this cartridge is used the amount of data you can store on the tape can be up to 15.0 GB native, or 30.0 GB of data using the compression mode. The actual amount of data stored in the compression mode is dependent on the data type. Compression can be selected on the drive front panel or from the host by using the SCSI MODE SELECT command.

## **1.5. Compaction**

The compaction feature of the Tandberg DLT4000 drive helps you to store data efficiently. A read/write data cache of 2.0 MB allows working space for the compaction, enabling maximum use of available tape space.

## **1.6. Durable Media**

The tape media can endure 1,000,000 passes and has a shelf life of 10 years, which provides superior media durability and data reliability.

## **1.7. Compatibility**

Tandberg Data is committed to maintaining compatibility within the DLT™ family of tape drives. Tandberg DLT4000 Subsystem tape products are third generation tape products, based on DLT-technology.

The Tandberg DLT4000 Subsystem complies with the ANSI standard for SCSI-2. The tape media format follows ECMA approved and ANSI proposed standards.

The Tandberg DLT4000 Subsystem can write 2.6, 6.0, 10.0 and 15.0 GB tape formats for 100% interchange compatibility with earlier drives. On a write from BOT, the Tandberg DLT4000 Subsystem reformats the cartridge recorded at 2.6, 6.0, 10.0 or 15.0 GB format to the new specified format.

## **1.8. Firmware Update Capability**

The Tandberg DLT4000 drive includes Flash EEPROM technology that allows easy on-site installation of microcode updates from tape.

## **1.9. Embedded Diagnostics**

The Tandberg DLT4000 drive has embedded diagnostic software that tells you when head cleaning is required, and indicates diagnostic results, and drive operating status. The drive has embedded data logging of errors for failure analysis.



---

# 2.

## ***Installing and Configuring the Tandberg DLT4000 Drive***

### **2.1. In This Chapter**

Chapter 2 includes the following main topics and sections:

<b>Topic</b>	<b>Section</b>
Prepare for the Installation	2.2.
Install the Tandberg DLT4000 External Tabletop Drive	2.3.
Configure the Tandberg DLT4000 External Tabletop Drive	2.4.
Connect the Cables	2.5.
Test the Installation	2.6.
Tandberg DLT4000 Troubleshooting Chart	2.7.

### **2.2. Prepare for the Installation**

This section describes how to prepare for the installation of the Tandberg DLT4000 external tabletop drive including:

<b>Topic</b>	<b>Section</b>
Before You Start	2.2.1.
Installation Setup	2.2.2.
Site Setup	2.2.3.
Site Guidelines	2.2.4.

#### **2.2.1. Before You Start**

Installing the Tandberg DLT4000 external tabletop drive requires no special tools. If you need to change the switchpack settings on the rear panel, you will need a pen.

If you have problems during the installation, see Table 2-4 for troubleshooting.

### **2.2.2. Installation Setup**

The steps for installation setup are:

<b>Step</b>	<b>Action</b>
1	Unpack and check your shipment.
2	Choose a site for the Tandberg DLT4000 External Tabletop Drive.
3	Power off the system on which the Tandberg DLT4000 External Tabletop Drive is to be installed.

### **2.2.3. Site Setup**

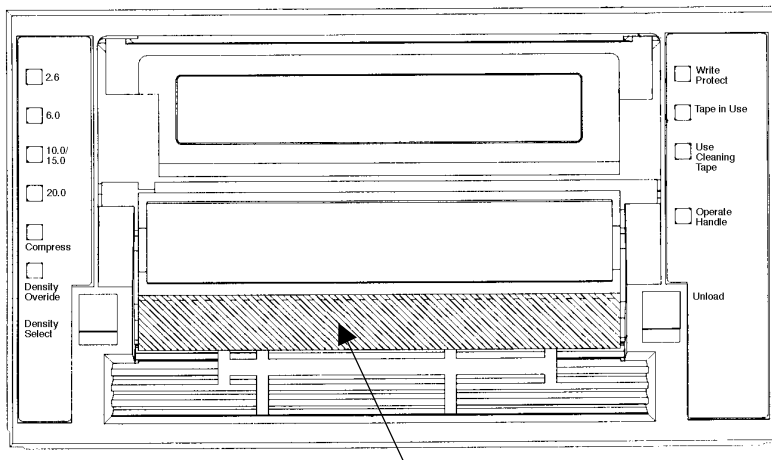
Place the Tandberg DLT4000 tabletop drive on a flat, sturdy, level area such as a desk or tabletop.

### **2.2.4. Site Guidelines**

Be sure to follow these guidelines for your Tandberg DLT4000 tabletop drive:

- The Tandberg DLT4000 tabletop drive is designed to operate in harsh environments. However, use care in placing the drive in an environment that is free of dust and humidity.

Figure 2-1 shows the Tandberg DLT4000 tabletop drive.

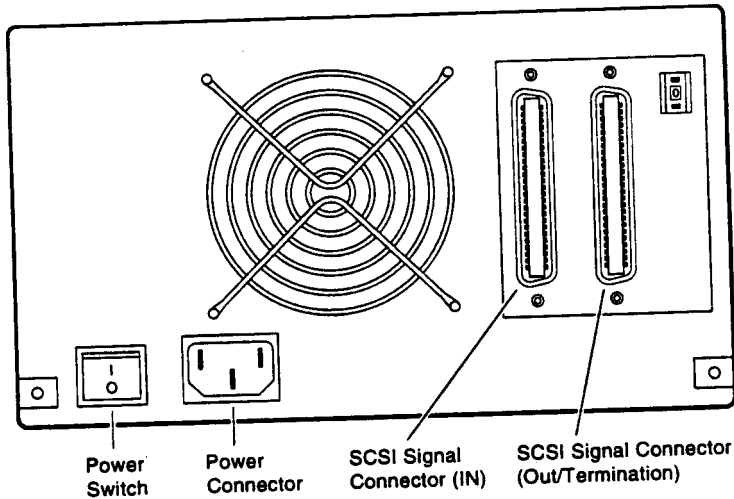


Cartridge Insert / Release handle (down)

Figure 2-1 Drive Front Panel

Indicators (Left Side of Drive)	Indicators (Right Side of Drive)
Density indicator 2.6 (Yellow)	Write Protected indicator (Orange)
Density indicator 6.0 (Yellow)	Tape in Use indicator (Yellow)
Density indicator 10.0/15.0 (Yellow)	Use Cleaning Tape indicator (Yellow)
Density indicator 20.0 (Yellow)	Operate Handle indicator (Green)
Compress indicator (Yellow)	Beeper (audible) not visible
Density Override indicator (Yellow)	
<b>Controls</b>	
Density Select button	
Unload button	
Cartridge insert/release handle	

Figure 2-2 shows connector locations.



*Figure 2-2 Tandberg DLT4000 Rear Panel*

## 2.3. Install the Drive

To install the Tandberg DLT4000 tabletop drive:

Step	Action						
1	Note the Tandberg DLT4000 tabletop drive factory settings.						
2	Review Section 2.4.1.						
3	Configure the Tandberg DLT4000 tabletop drive or use on your system:						
	<table border="0"> <tr> <td><b>If you need to ...</b></td> <td><b>See section ...</b></td> </tr> <tr> <td>Disable parity checking</td> <td>2.4.2.</td> </tr> <tr> <td>Change the SCSI ID</td> <td>2.4.3.</td> </tr> </table>	<b>If you need to ...</b>	<b>See section ...</b>	Disable parity checking	2.4.2.	Change the SCSI ID	2.4.3.
<b>If you need to ...</b>	<b>See section ...</b>						
Disable parity checking	2.4.2.						
Change the SCSI ID	2.4.3.						
4	Connect the cables.						

## 2.4. Configure the Tandberg DLT4000 Tabletop

This section describes how to configure the Tandberg DLT4000 tabletop drive including:

Topic	Section
Configuration Guidelines	2.4.1.
Disable Parity Checking	2.4.2.
Changing the SCSI ID	2.4.3.

The Tandberg DLT4000 tabletop drive is factory set to SCSI ID 4, unless otherwise specified. The drive is factory set for parity generation and parity checking is enabled.

### 2.4.1. Configuration Guidelines

All systems use the SCSI ID to identify, or address, the Tandberg DLT4000 tabletop drive. Follow these guidelines when configuring the Tandberg DLT4000 tabletop drive for use on your system:

---

#### If you are installing the Tandberg DLT4000 as . Then ...

---

The only SCSI device on the bus or one of multiple SCSI devices on the bus	Be sure to use a SCSI ID that is unique from any other device or system ID on the SCSI bus.
The last or only device on the SCSI bus	You must terminate the bus by installing a terminator on the drive.

---

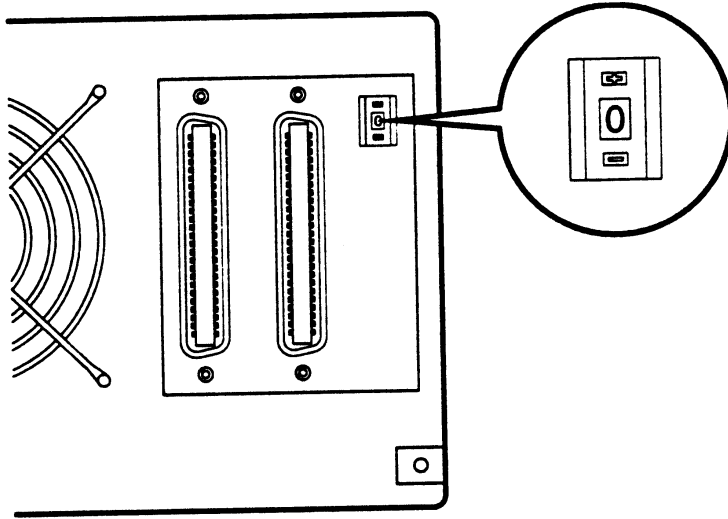
### 2.4.2. Disable Parity Checking

To disable parity, see your service representative.

### 2.4.3. Changing the SCSI ID

Change the SCSI ID via the pushbutton switch on the rear of the drive. Press the switch button(s) above or below the number display (0-7) to set the desired SCSI ID. Press the top button to increase the number or press the bottom button to decrease the number.

Figure 2-3 shows the SCSI ID pushbutton switch location.



*Figure 2-3 Changing the SCSI ID via the Pushbutton Switch*

## 2.5. Connect the Cables

Section 2.5. includes the following topics:

Topic	Section
Examine the Tandberg DLT4000 Rear Panel	2.5.1.
Connect the SCSI Signal Cable	2.5.2.
Terminate the SCSI Bus	2.5.3.
Selecting the Correct AC Power Cord	2.5.4.
Connect the Power Cord	2.5.5.

### 2.5.1. Examine the Tandberg DLT4000 Rear Panel

Examine the components on the Tandberg DLT4000 rear panel to complete the physical installation (Figure 2-4).

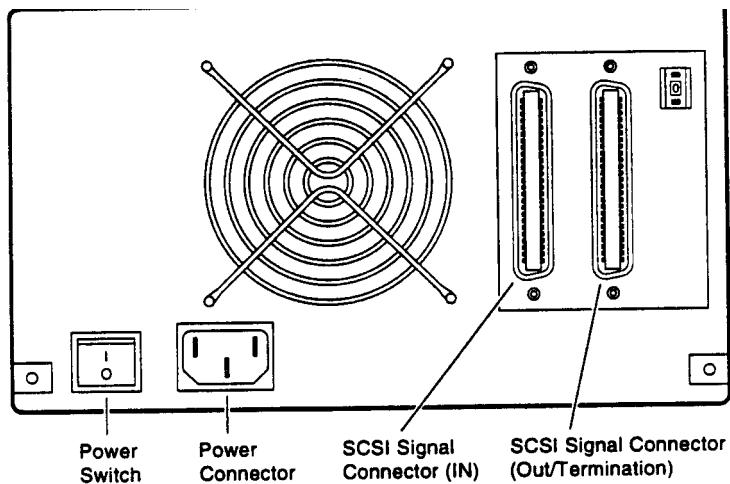


Figure 2-4 Rear Panel Components

### 2.5.2. Connect the SCSI Signal Cable

To connect the SCSI signal cable:

1. Connect one end of the SCSI cable to the leftmost SCSI signal connector on the Tandberg DLT4000 rear panel.
2. Snap the wire cable clamps into place to secure the cable.
3. Connect the other end of the SCSI signal cable to the SCSI connector on your system or, for daisy-chained configurations, to another SCSI device.

See your system documentation for system SCSI connections.

### 2.5.3. Terminate the SCSI Bus

**NOTE:**

The SCSI bus must be terminated at both ends and at least one device must supply terminator power.

Table 2-1 tells you when and where to add a terminator.

If the Tandberg DLT4000 is ...	Then ...
The last or only device on the bus and you are going to terminate the cables externally	<ol style="list-style-type: none"> <li>1. Connect the SCSI terminator to one of the SCSI signal connectors on the Tandberg DLT4000 rear panel.</li> <li>2. Snap the wire cable clamps into place or tighten screws (whichever is supplied) to secure the terminator.</li> </ol>
Not the last or only device on the SCSI bus	Be sure to install the terminator at the end of the bus.

*Table 2-1 Adding a Terminator*



### **2.5.4. Selecting the Correct AC Power Cord**

**WARNING!**

**Do not attempt to modify or use an external 100 - 115 VAC power cord for 220 - 240 VAC input power. Modifying the power cord can cause personal injury and severe equipment damage.**

Two AC power cords were supplied with your unit. Carefully select the correct one for your country or region based on the criteria listed below. If you feel the supplied AC power cord is not correct, contact your authorized Tandberg Data service representative.

The AC power cord used with this equipment must meet the following criteria:

1. UL and CSA Certified cordage rated for use at 250 VAC with a current rating that is at least 125% of the current rating of the product. In Europe, the cordage must have the <HAR> mark.
2. The AC plug must be terminated in a grounding-type male plug designed for use in your country. It must also have marks showing certification by an agency acceptable in the country.
3. The connector at the product end must be an IEC type CEE-22 female connector.
4. The cord must be no longer than 14.5 feet (4.5 meters).

**NOTE:**

The power cord should be a minimum of 18/3 AWG, 60°C, Type SJT or SVT.

Figure 2-5 shows the different AC power cord plug configurations for 115V and 220V/240V usage.

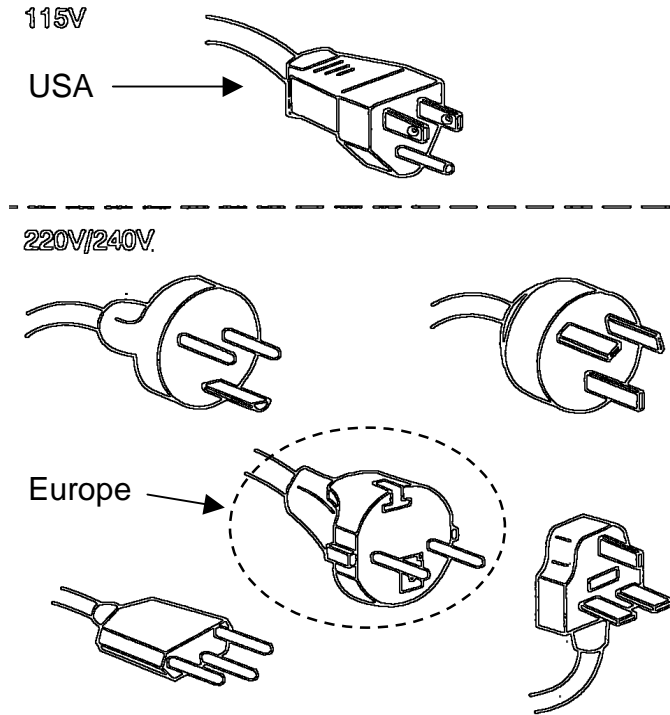


Figure 2-5 Power Cords

### 2.5.5. Connect the Power Cord

To connect the power cord:

1. Ensure the Tandberg DLT4000 power switch is set to 0 (OFF).
2. Connect the power cord to the Tandberg DLT4000 power connector. Make sure the connector is fully seated.
3. Connect the other end of the power cord to a nearby ac outlet.

## 2.6. Test the Installation

Section 2.6. includes the following topics:

Topic	Section
Run the Power-On Selftest (POST)	2.6.1.
What to Do after POST	2.6.2.

### 2.6.1. Run POST

To test the installation for the Tandberg DLT4000 tabletop drive by running POST:

1. Turn on the system power.
2. Set the power switch on the Tandberg DLT4000 rear panel to on. POST runs automatically.
3. Observe the indicators on the Tandberg DLT4000 front panel. Ensure the indicator sequence of events is the same as in Table 2-2. Events on the right and left sides happen at the same time.

Event	Action
1	The indicators on the right front panel turn on sequentially from top to bottom. All indicators stay on for a few seconds.
2	All indicators on the left front panel turn on at the same time for about three seconds and then turn off.
3	The green Operate Handle, the orange Write Protected, and the Yellow Use Cleaning Tape indicators turn off. The yellow Tape in Use indicator blinks while the tape drive initializes.
4	After initialization, if no cartridge is loaded, the yellow Tape In Use indicator turns off, the green Operate Handle indicator turns on, the handle unlatches, and the beeper sounds.

*Table 2-2 POST*

For more information on what happens after initialization when a cartridge is present, but the handle is down; or a cartridge is present, but the handle is up (not recommended), see Section 3.5.4 in Chapter 3.

POST completes in about 13 seconds and the drive responds normally to all commands. However, it might take longer for the media to become ready. After a bus reset, the tape drive responds within a bus selection time-out period.

### **2.6.2. What to Do after POST**

<b>If ...</b>	<b>Then ...</b>
All the events in Table 2-2 took place	POST succeeded. Bring up the system and run the optional system tests. See Chapter 3 for operating the drive and selecting density.
All left- or right-side indicators on the Tandberg DLT4000 front panel blink only	POST failed. See Table 2-4.

*Table 2-3 After POST*

## 2.7. Tandberg DLT4000 Troubleshooting Chart

If the Tandberg DLT4000 tabletop drive fails during POST or operation, use Table 2-4 to determine the problem and the action to take.

<b>If ...</b>	<b>Then ...</b>	<b>You should ...</b>
Your system does not recognize the Tandberg DLT4000 tabletop drive	Your system might not be configured to see the SCSI ID	Configure your system to see the ID.
	The SCSI ID might not be unique	Change the SCSI ID and reconfigure the system. The new ID is effective at the next power-on.
	The parameters for your SCSI adapter might be incorrect	Check your SCSI adapter installation.
	The SCSI signal cable might be loose	Make sure the connector on each end of the cable is fully seated.
	The SCSI terminator might not be present or might be loose	Install the terminator; make sure the terminator is fully seated.
	The SCSI bus might not be correctly terminated	If the Tandberg DLT4000 tabletop drive is the last or only device on the bus, make sure the terminator is installed on the Tandberg DLT4000 tabletop drive. If the Tandberg DLT4000 tabletop drive is not the last or only device on the bus, check the cable connections and make sure the terminator is installed at the end of the bus.
	The SCSI terminator might not be at the end of the bus, or more than two terminators might be present	Be sure to install a terminator at each end of the bus. One terminator is usually installed at the system.

*Table 2-4 Tandberg DLT4000 Troubleshooting Chart*

<b>If ...</b>	<b>Then ...</b>	<b>You should ...</b>
Your system does not recognize the Tandberg DLT4000 tabletop drive	<ol style="list-style-type: none"> <li>1. The SCSI bus might be too long.</li> <li>2. Too many devices might be on the bus.</li> </ol>	<ol style="list-style-type: none"> <li>1. Limit the bus length to the ANSI SCSI standard of 6 meters (19 feet) for single ended (SE) or 25 meters (82 feet) for differential.</li> <li>2. Limit the number of devices on the bus (including the system) to eight. Check your system configuration rules.</li> </ol>
The Tandberg DLT4000 tabletop drive does not power up	The Tandberg DLT4000 tabletop drive has no power	Check the Tandberg DLT4000 power cord connections with the Tandberg DLT4000 power switch off.
All right- or all left-side indicators on the Tandberg DLT4000 front panel blink	A drive fault has occurred	Try to unload the tape and reinitialize the drive by pressing the Unload button or turn drive power off and then on again. The right- or left-side indicators stop blinking and the drive tries to reinitialize. The indicators turn on steady again and go off if the test succeeds.
You find fatal or nonfatal errors for which you cannot determine the cause	The bus termination or SCSI signal cable connections might be incorrect	Ensure the SCSI bus is terminated.
	The ac power source grounding might be incorrect	Use an ac outlet for the Tandberg DLT4000 tabletop drive on the same ac line powering the system.

*Table 2-4 Tandberg DLT4000 Troubleshooting Chart (cont'd)*

After taking the action listed in Table 2-4, power on the Tandberg DLT4000 tabletop drive to rerun POST. If all right- or left-side indicators blink again, you most likely have a hardware failure.

---

# 3.

## ***Configuring and Operating the Tandberg DLT4000 Drive***

### **3.1. This Chapter**

The configuration section in this chapter applies to the basic drive without external cabinet. (Chapter 2 applies to configuring the external tabletop). Chapter 3 includes these main topics and sections:

<b>Topic</b>	<b>Section</b>
Before You Install the Tandberg DLT4000 Drive	3.2.
Selecting Density	3.3.
Overview of the Front Panel	3.4.
Description of Controls and Indicators	3.5.
Description of the Tape Cartridge	3.6.
Loading a Cartridge	3.7.
Using the Cleaning Tape Cartridge	3.8.
Unloading a Cartridge	3.9.
Preserving Cartridges	3.10.
Firmware Update Procedure	3.11.

### **3.2. Before You Install the Tandberg DLT4000 Drive**

Section 3.2. includes:

<b>Topic</b>	<b>Section</b>
Disabling Parity Checking	3.2.1.
Changing the SCSI ID	3.2.2.
Setting the TRM PWR jumpers	3.2.3.
Locating the SCSI Cable and Power Connectors	3.2.4.

### 3.2.1. Disabling Parity Checking (Default = Enabled)

If your system does not generate parity, you can disable parity checking by adding a jumper to the SCSI connector on the left side of the Tandberg DLT4000 drive (Figure 3-1).

To disable parity:

1. Use Figure 3-1, Number ②, to locate the SCSI ID connector on the drive.

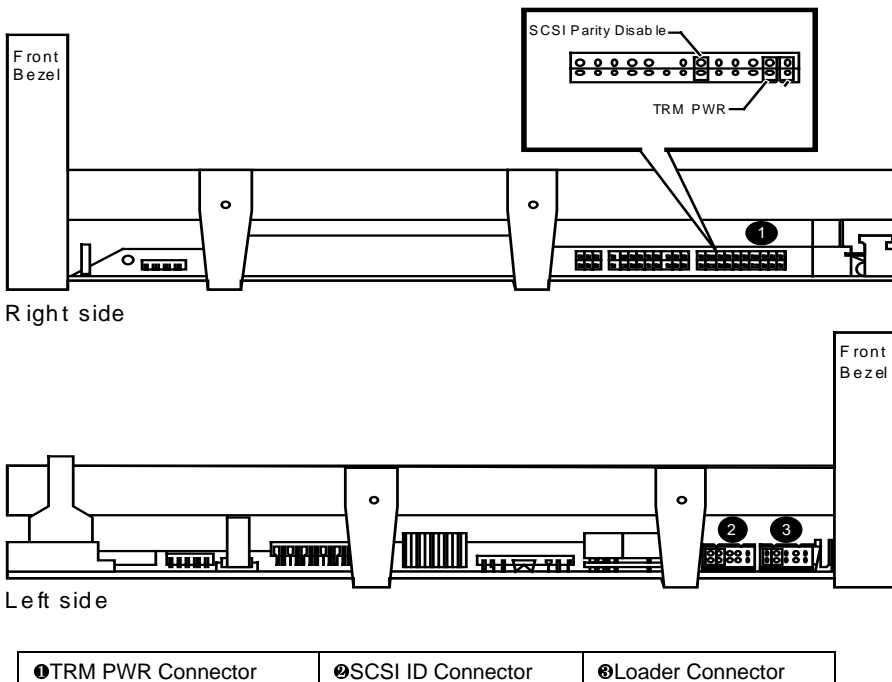
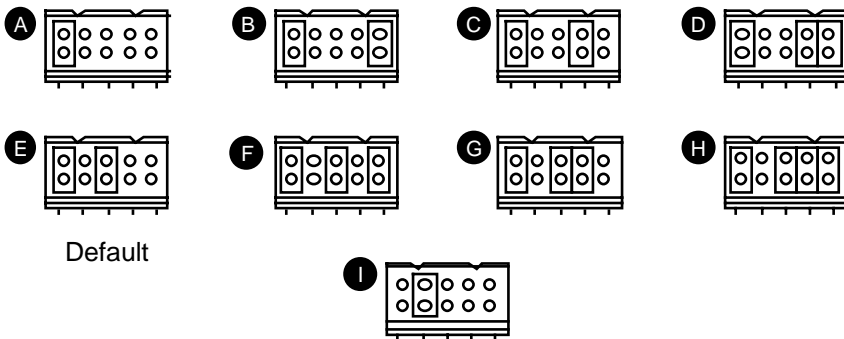


Figure 3-1 Tandberg DLT4000 Drive Connectors



2. Place the jumper in the disable parity check position, as shown in Letter I, Figure 3-2.

8 - Bit



A. SCSI ID 0

B. SCSI ID 1

C. SCSI ID 2

D. SCSI ID 3

E. SCSI ID 4 (Default)

F. SCSI ID 5

G. SCSI ID 6

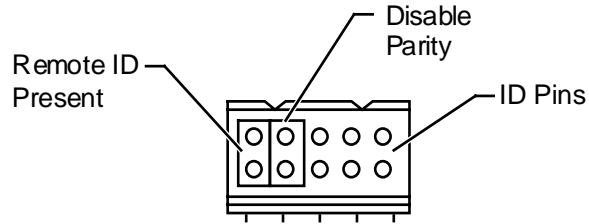
H. SCSI ID 7

I. Disable parity checking.

The jumper goes in this position with any SCSI ID you choose.

Figure 3-2 Jumper Positions

Figure 3-3 shows what the pins on the SCSI ID connector represent.



*Figure 3-3 SCSI ID Connector Pins*

**NOTE:**

A jumper must always be placed on the Remote ID Present position (Figure 3-3) for the host to recognize any ID selection on this connector.

### **3.2.2. Changing the SCSI ID**

The drive is shipped with SCSI ID 4, unless otherwise specified. You can change the SCSI ID by reconfiguring jumpers on the drive's SCSI connector (Figure 3-1).

To change the SCSI ID:

1. Use Figure 3-1, number ❷, to locate the SCSI ID connector on the drive.
2. Choose a SCSI ID from 0 to 7.
3. Use Figure 3-2, to see where to place the jumpers for the ID you choose. For example, if you chose SCSI ID 1, place the jumpers in the same positions as those in Letter B.

### **3.2.3. Setting the TRM PWR (Single-ended Only) Jumper (Default = Disabled)**

**NOTE:**

The Small Computer System Interface (SCSI) bus must be terminated at both ends of the bus, and at least one device must supply terminator power.

You can configure the Tandberg DLT4000 drive to supply termination power for external SCSI-terminators.

To supply terminator power for the SCSI bus:

1. Use Figure 3-1, number ❶, to locate the TRM PWR connector on the drive.
2. Place jumper in the positions shown in Figure 3-4, number ❷



Figure 3-4 Jumper Settings for TRM PWR

- 
- ❶ No Term Power
  - ❷ Term Power
- 

### 3.2.4. Locating the SCSI Cable and Power Connectors

To install the Tandberg DLT4000 drive, note the location of the rear connectors (Figure 3-5).

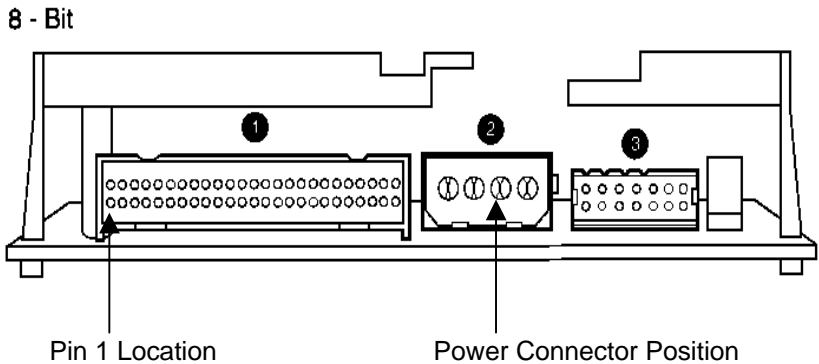


Figure 3-5 Tandberg DLT4000 Rear Connector

- 
- ❶ SCSI Connector
  - ❷ Power Connector
- 
- ❸ Power Connector  
(Custom Power Connection)
-

### 3.3. Overview of the Front Panel

The Tandberg DLT4000 drive has the following indicators and controls for operating the drive (Figure 3-6).

Figure 3-6 shows the Tandberg DLT4000 drive indicators and controls:

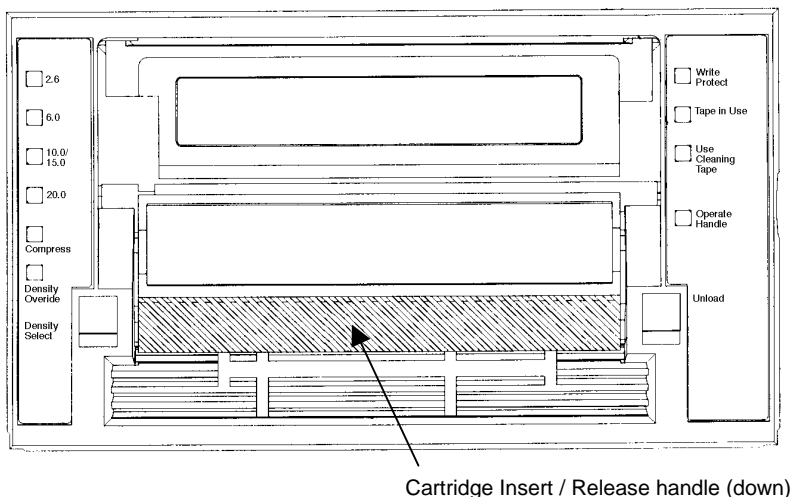


Figure 3-6 Tandberg DLT4000 Indicators

Indicators (Left Side of Drive)	Indicators (Right Side of Drive)
Density indicator 2.6 (Yellow)	Write Protected indicator (Orange)
Density indicator 6.0 (Yellow)	Tape in Use indicator (Yellow)
Density indicator 10.0/15.0 (Yellow)	Use Cleaning Tape indicator (Yellow)
Density indicator 20.0 (Yellow)	Operate Handle indicator (Green)
Compress indicator (Yellow)	Beeper (audible) not visible
Density Override indicator (Yellow)	
Controls	
Density Select button	Unload button
Cartridge insert/release handle	

### 3.4. Selecting Density

Section 3.4. describes the drive's density select features.

**CAUTION!**

**If a prerecorded tape is used and written from beginning of tape (BOT), all prerecorded data is lost. This includes density changes, since they only occur when writing from BOT.**

#### Ways of Selecting Density

Using DLTtape IV the density defaults to 20.0 GB native. The only selection is for compression on or off.

Using DLTtape III the density defaults to 10.0 GB native. The only selection for this cartridge is 2.6, 6.0, 10.0 GB compression off or 20.0 GB compression on.

Using DLTtape IIIxt the density defaults to 15.0 GB native or 30.0 GB compression.

Using DLTtape IV the user can select density by any of the following operations:

1. On all read operations and all write append operations, the recorded density is the density to be used.
2. On a Write from BOT, the tape density may be changed by:
  - The Density Select button. Using the Density Select button always overrides a host selection.
  - A programmable Host Selection via your operating system. (The Density Override indicator is off, indicating automatic or host density selection.)
  - Native Default density 20.0 GB and Compress (assuming the Density Select button or the host selection was not used.)

### How to Select Density

To select density with the Tandberg DLT4000 drive:

1. Load the tape in the drive. The yellow Tape in Use indicator blinks while the tape loads and calibrates.
2. After calibration completes, Tape in Use remains lit.
3. The indicator shows the tape's prerecorded density, such as 2.6 GB or 6.0 GB.
4. You can use the drive's control panel at various times, not just after loading a tape. Density selection is inactive until the write from BOT command is issued. The controller remembers the density selection state until you do one of the following:
  - Change the density selection
  - Unload the tape

### Density Select Example

If you have loaded a tape with a prerecorded 2.6 GB density and you use the Density Select button to select 10.0 GB density, the following should happen:

- The 2.6 indicator remains lit—density has not changed yet and the steady light indicates recorded tape density
- The 10.0/15.0 indicator blinks—density change is pending
- Density Override lights

When a write from BOT occurs, the following should happen:

- The 2.6 indicator turns off
- 10.0/15.0 indicator is on steady
- Density Override remains lit

Table 3-1 shows the results of density selection.

<b>If ...</b>	<b>Then ...</b>
The Density Select button is not used	The indicators show the actual density when the tape is reading and writing. The indicators are on steady and Density Override is off.
The Density Select button is used, and if the actual tape density is the same as the density you selected	The actual density and the Density Override light. For example, if the actual tape density is 10.0 GB and the selected tape density is 10.0 GB, then the indicator next to 10.0/15.0 lights.
The Density Select button is used, and if the actual tape density differs from the density selected	<ol style="list-style-type: none"> <li>1. The indicator with the actual density is on steady</li> <li>2. The indicator with the selected density blinks</li> <li>3. Density Override lights steady</li> </ol> For example, if the actual tape density is 10.0 GB and the selected density is 6.0 GB, 10.0/15.0 lights steady, 6.0 blinks, and Density Override indicator is on steady.

*Table 3-1 Results of Density Selection*

To select density over the SCSI bus:

1. Do a SCSI MODE SELECT with the density you want.
2. Write data to the tape from BOT.



## 3.5. Description of Controls and Indicators

Section 3.5. includes the following sections:

Topic	Section
Beeper	3.5.1.
Unload Button	3.5.2.
Cartridge Insert/Release Handle	3.5.3.
Indicator Action during Power-on Self-test and Operation	3.5.4.

### 3.5.1. *Beeper*

A beeper sounds when you can operate the cartridge insert/release handle. When you hear the beep, the green Operate Handle indicator should be on.

### 3.5.2. *Unload Button*

The Unload button is used primarily to unload the tape. When the user pushes Unload, the Tandberg DLT4000 drive waits until an active write to tape is completed before beginning the unload sequence.

The drive then rewinds the tape back into the cartridge. The tape must be completely rewound and unloaded into the cartridge before you can remove the cartridge from the drive. An unload operation may take 20 seconds from BOT.

If the drive is in error state (all right-side indicators are flashing on the front panel), pushing the Unload button causes the drive to reset and unload the tape if possible.

### 3.5.3. *Cartridge Insert/Release Handle*

Operate the cartridge insert/release handle to load a cartridge or to eject a cartridge only when the Operate Handle indicator is on, and after the momentary beep sounds. The handle lifts to the open position and lowers to the closed position. See Section 3.7. and Section 3.9. for the operating procedures.

### **3.5.4. Indicator Action during Power-On Selftest and Operation**

When you turn on system power, the drive performs the power-on self-test (POST). The sequence of events is:

<b>Stage</b>	<b>What Happens</b>
1	The indicators on the right front panel turn on sequentially from top to bottom. All indicators stay on for a few seconds.
2	The indicators on the left front panel turn on at the same time for about three seconds and then turn off.
3	The green Operate Handle, the orange Write Protected, and the yellow Use Cleaning Tape indicators turn off. The yellow Tape in Use indicator blinks while the tape drive initializes.
4	After initialization, the drive is in one of the following four states:

Drive State	Indicator Displays and Actions
a. No cartridge is present	<ol style="list-style-type: none"> <li>1. The yellow Tape in Use indicator turns off.</li> <li>2. The green Operate Handle indicator turns on.</li> <li>3. The handle is unlatched.</li> <li>4. The drive beeps momentarily.</li> </ol> You can now raise the handle and insert a cartridge.
b. A cartridge is present and the handle is down	The drive loads the cartridge. When the yellow Tape In Use indicator stops blinking and stays on, the tape's actual density indicators. For example, if the actual tape density is 2.6 GB, then the indicator turns on next to the 2.6 label. When Density Override blinks, you can select a density. The drive is ready for use. (See Section 3.4.)
c. A cartridge is present, but the handle is up (not recommended)	The yellow Tape In Use indicator turns off. The green Operate Handle indicator flashes. When you lower the handle, the cartridge loads.
d. The drive detects an error condition	Right or left side indicators blink repeatedly. You may try to unload the tape and reinitialize the drive by pressing the Unload button or turn drive power off and then on again. The right- or left-side indicators stop blinking and the drive tries to reinitialize. The indicators turn on steady again and turn off if the test succeeds.
e. The drive is powered on with the handle open	The Operate Handle indicator is blinking; close handle and wait for a steady indication.

POST completes in about 15 seconds and the drive responds normally to all commands. However, it might take longer for the media to become ready. After a bus reset, the tape drive responds within a bus selection time-out period. Use this table to determine the drive's operating condition:

Label	Color	State	Operating Condition
<b>Indicator (Right front panel)</b>			
Write Protected	Orange	On	Tape is write-protected.
		Off	Tape is write-enabled.
Tape in Use	Yellow	Blinking	Tape is moving.
		On	Tape is loaded; ready for use.
Use Cleaning Tape	Yellow	On	Drive head needs cleaning, or the tape is bad (Section 3.8).
		Remains on after you unload the cleaning tape	Cleaning tape attempted to clean the drive head, but the tape expired, so cleaning was not done.
		After cleaning, turns on again when you reload the data cartridge	Problem data cartridge. Try another cartridge.
		Off	Cleaning is complete, or cleaning is unnecessary.
Operate Handle	Green	On	Okay to operate the cartridge/insert release handle.
		Off	Do not operate the cartridge insert/release handle.
		Blinking	Close handle and wait for a steady green indication before inserting cartridge.
All four right-side indicators or all left-side indicators	–	On	POST is starting.
		Blinking	An error has occurred. See Table 2-4, Tandberg DLT4000 Troubleshooting Chart.

*Table 3-2 Determining the Drive's Operating Condition*

Label	Color	State	Operating Condition
<b>Indicator (Left Front Panel)</b>			
2.6	Yellow	On	Tape is recorded in 2.6 GB format.
		Blinking	Tape is recorded in another density. You selected this density for a write from BOT.
6.0	Yellow	On	Tape is recorded in 6.0 GB format.
		Blinking	Tape is recorded in another density. You selected this density for a write from BOT.
10.0/15.0	Yellow	On (default)	Tape is recorded in 10.0/15.0 GB format.
		Blinking	Tape is recorded in another density. You selected this density for a write from BOT.
20.0	Yellow	On (default)	Tape is recorded in 20.0 GB format.
		Blinking	Tape is recorded in another density. You selected this density for a write from BOT.
Compress	Yellow	On	Compression mode is enabled. (Compression can be done in 10.0/20.0 GB density only.)
		Off	Compression mode is disabled.
Density Override	Yellow	On	You selected a density from the front panel.
		Off (default)	Density to be selected by the host (automatic).
		Blinking	You are in density selection mode.
All four right-side or all left-side indicators		Blinking	A POST error occurred.

*Table 3-2 Determining the Drive's Operating Condition (cont'd)*

## 3.6. Description of the Tape Cartridge

The DLTtape III tape cartridge is a 4-inch, gray, plastic cartridge containing 1100 feet of 1/2 inch magnetic metal particle tape (Tandberg Data P/N 43 18 96).

The DLTtape IIIxt tape cartridge is a 4-inch, white, plastic cartridge containing 1800 feet of 1/2 inch magnetic metal particle tape (Tandberg Data P/N 43 18 76).

The DLTtape IV tape cartridge is a 4-inch, black, plastic cartridge containing 1800 feet of 1/2 inch magnetic metal particle tape (Tandberg Data P/N 43 18 77).

### 3.6.1. Cartridge Write-Protect Switch

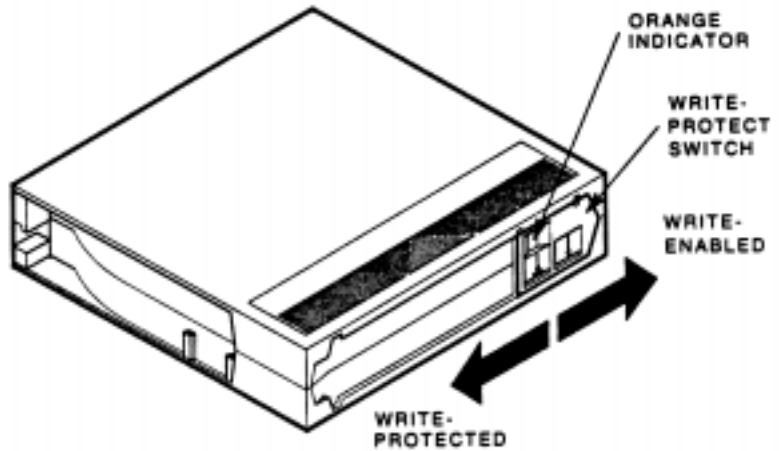
The tape cartridge has a write-protect switch to prevent accidental erasure of data. Before loading the tape cartridge into the drive, position the write-protect switch on the front of the cartridge (Figure 3-7).

- Left, so the cartridge is write-protected
- Right, so the cartridge is write-enabled

When you slide the switch to the left, the small orange rectangle is visible. This means data cannot be written to the tape. The arrow (beneath the orange rectangle and over the two lines on the write-protect switch) indicates data cannot be written to the tape.

On the right side of the write-protect switch an arrow over one line indicates that if you slide the write-protect switch to the right, data can be written to the tape.

Figure 3-7 shows the write-protect switch on the tape cartridge.



*Figure 3-7 Tape Cartridge*

### 3.6.2. Data Protection

When the cartridge write-protect switch is moved to the left, the drive turns on the write protect LED immediately. But, if the drive is writing to the tape, write protect does not take effect until the write completes.

Table 3-3 describes what happens to data protection when you move the write-protect switch before loading the cartridge.

<b>If you move the write-protect switch ...</b>	<b>Then ...</b>
To the left, the tape is write-protected; the orange indicator on the cartridge shows	You cannot write data to the tape.
To the right, the tape is write-enabled	You can write data to the tape (if it is not software write-protected).

*Table 3-3 Before Loading the Cartridge*

Table 3-4 describes what happens to data protection when you move the write-protect switch during operation.

<b>If you move the write-protect switch ...</b>	<b>Then ...</b>
From the write-protected position to write-enabled	The tape becomes write-enabled after a variable amount of time (seconds).
From write-enabled to write-protected	The tape becomes write-protected after a variable amount of time (seconds).

*Table 3-4 After Loading the Cartridge and Operating*



### 3.7. Loading a Cartridge

The following are more detailed steps for loading a cartridge (Figure 3-8):

1. When the Operate Handle green indicator is on steady, lift the cartridge insert/release handle open.

**NOTE:**

If Operate Handle indicator is blinking, close handle and wait for a steady green indication, then lift handle and insert tape cartridge.

2. Insert the cartridge.
3. Push the cartridge into the drive.
3. Push the handle closed.

**NOTE:**

To prevent handle failures, assist the handle to the closed position. Do not flip it.

The green indicator turns off and the yellow indicator blinks to show the tape is loading. When the tape is at the BOT marker, the yellow indicator turns on steady. The tape is now ready for use.

Figure 3-8 shows how to load a cartridge into the drive.

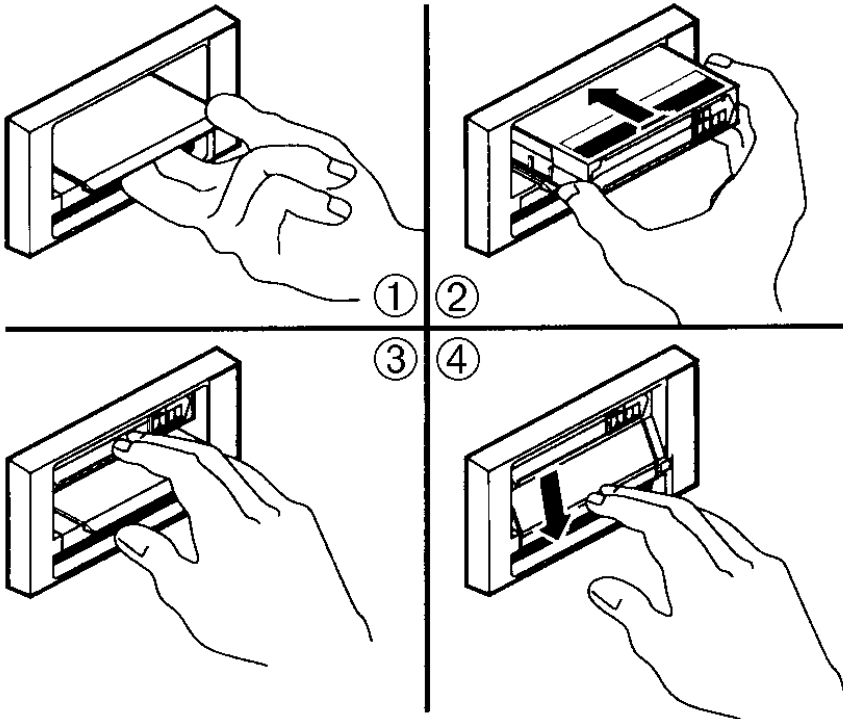


Figure 3-8 Loading a Cartridge

### 3.7.1. Tape in Use

Whenever the yellow Tape in Use indicator is on steady, the tape is ready to use. When the drive is calibrating, reading, writing or rewinding the tape, the Tape in Use indicator blinks.

Use Table 3-5 to determine what is happening during cartridge use.

If ...	It means ...
The yellow indicator is on steady	A cartridge is loaded, but the tape is not moving. This can mean no application is communicating with the controller, or that the application is communicating, but is not delivering commands for tape motion.
The yellow indicator blinks irregularly	A calibration read or write is in progress.
The yellow indicator blinks regularly	The tape is loading, unloading, or rewinding.
The green indicator turns on and the beeper sounds	The tape is unloaded into the cartridge and the cartridge can now be removed, or if the drive is unloaded, a cartridge can now be inserted.
All four indicators blink	An error has occurred during operation. See Table 2-4, Tandberg DLT4000 Troubleshooting Chart.

*Table 3-5 What is Happening During Cartridge Use  
(Right Side Indicators)*

### 3.8. Using the Cleaning Tape Cartridge (Tandberg Data Cleaning Cartridge P/N 43 18 78)

Use Table 3-6 to determine

<b>If ...</b>	<b>It means ...</b>	<b>And you should ...</b>
1. Use Cleaning Tape indicators (Figure 3-6)	The drive head needs cleaning or the tape is bad (see item 3)	Use the cleaning cartridge. Follow the instructions in Section 3.7. for loading a cartridge into the drive. When cleaning completes, the Use Cleaning Tape indicator shuts off and the beeper sounds for you to remove the cleaning cartridge.
2. A data cartridge causes Use Cleaning Tape to blink	The data cartridge may be damaged	Back up this data onto another cartridge. Discard the old cartridge, which may be damaged. A damaged cartridge may cause unnecessary use of the cleaning cartridge.
3. Use Cleaning Tape still indicators after you clean the drive head	Your data cartridge may be causing the problem	Try another data cartridge.
4. Use Cleaning Tape indicators after you load the cleaning cartridge	Cleaning has not been done and the cartridge is expired	Replace the cleaning cartridge.

*Table 3-6 When to Use the Cleaning Cartridge*

<p><b>NOTE:</b> The cleaning cartridge expires after about 20 uses.</p>
---

### 3.9. Unloading a Cartridge

**CAUTION!**

Remove a cartridge from the drive before turning off host system power. Failure to remove a cartridge can result in cartridge and drive damage.

When you remove the cartridge from the drive, return the cartridge to its plastic case to prolong the cartridge life.

To unload a cartridge from the drive (Figure 3-9):

1. Press the Unload button (or issue the appropriate system software command). The yellow Tape in Use indicator blinks as the tape rewinds.
2. When the green indicator turns on (the beeper also sounds), pull the cartridge insert/release handle open to eject the cartridge.

**CAUTION!**

Immediate extraction of the tape cartridge can lead to tape leader failure. Delay tape cartridge extraction by one to two seconds to avoid this problem.

3. Remove the cartridge.
4. Push the handle closed.

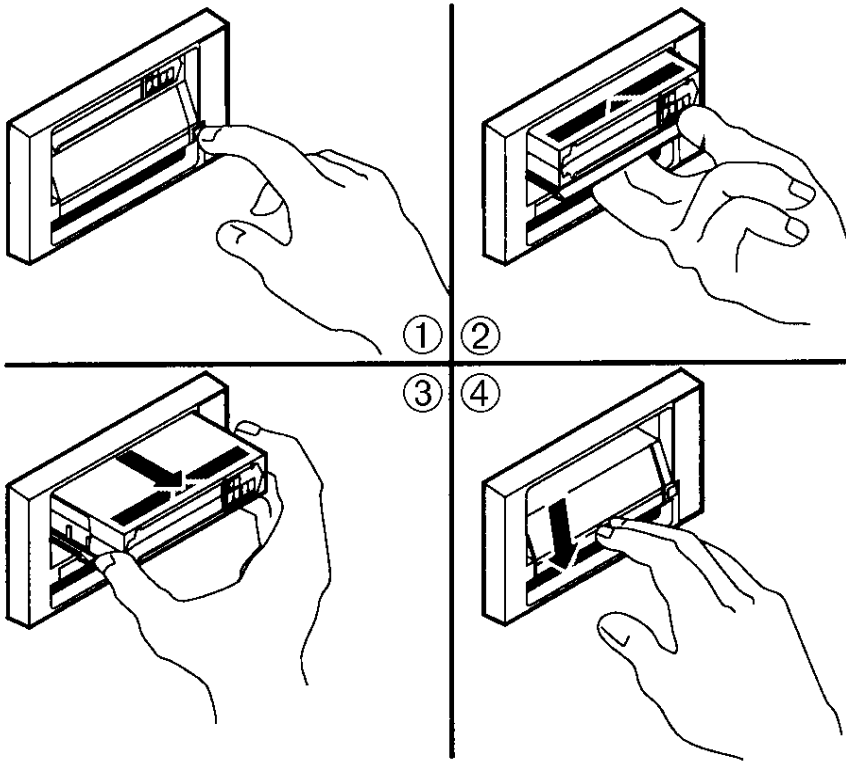


Figure 3-9 Unloading a Cartridge

### 3.10. Preserving Cartridges

For longer life of recorded or unrecorded cartridges, store cartridges in a clean environment with these conditions:

- Do not drop or bang the cartridge. This can displace the tape leader, making the cartridge unusable and possibly damaging the drive.
- Keep tape cartridges out of direct sunlight and away from heaters and other heat sources.
- Store tape cartridges in temperatures between 10°C and 40°C (50°F to 104°F). For longer cartridge life, always store the cartridge in its plastic container and in room environment conditions of 72°F ±7°F (22°C ±4°C).
- If the tape cartridge has been exposed to heat or cold extremes, stabilize the cartridge at room temperature for the same amount of time it was exposed---up to 24 hours.
- Do not place cartridges near electromagnetic interference sources, such as terminals, motors, and video or X-ray equipment. Data on the tape can be altered.
- Store tape cartridges in a dust-free environment where the relative humidity is between 20% and 80%. For longer cartridge life, store the cartridge at 40% ± 20% relative humidity.
- Place an identification label only in the slide-in slot on the front of the cartridge.
- Do not adhere labels to a cartridge anywhere except in the slide-in slot.

### 3.11. Firmware Update Procedure

Section 3.11. describes the procedure for updating the firmware (code) of the Tandberg DLT4000 subsystem controller. The update is done from a cartridge that stores the firmware image. Firmware update from the host is also supported.

Firmware updates are supported on the Tandberg DLT4000 drive with and without the media loader. The steps for performing the update are similar for each. To update the firmware with the:

- Drive only configuration, see *Section 3.11.1. Updating the Firmware on the Tandberg DLT4000 Drive (Drive Only Configuration)*

**CAUTION!**

**Never turn off power if you think the firmware is being updated. This can damage the controller.**



### **3.11.1. Updating the Firmware on the Tandberg DLT4000 Drive (Drive Only Configuration)**

1. Obtain or make a DLTtape III, DLTtape IIIxt, or DLTtape IV with the firmware image of the desired revision level copied to it.
2. Put the Tandberg DLT4000 subsystem into firmware update mode. To do this:
  - a. Remove any cartridge that is in the target Tandberg DLT4000 drive and close the handle (down position).
  - b. Press the Unload button on the drive front panel and hold the button (about 6 seconds) until the Write Protect indicator blinks. This means the Tandberg DLT4000 subsystem has recognized your request for firmware update mode and is waiting for the sequence to complete.

If the Write Protect indicator does not blink, check that:

1. POST passed
2. The drive is unloaded
3. The drive handle is in the down position
- c. Release the Unload button and press the button again within 4 seconds. The second press should take less than 1 second.
- d. The Tape in Use and the Write Protect indicators blink, showing the tape subsystem recognizes the firmware update mode has been selected.
- e. If selecting the firmware update mode is not successful (for example, pressing the button the second time takes longer than one second) the Write Protect indicator should stop blinking within several seconds.

Try the procedure again. If the drive and controller are not properly communicating, you cannot select firmware update.

3. Once you have selected the firmware update mode, insert a cartridge into the drive, which:
  - a. Temporarily turns off the Tape in Use and Write Protect indicators.

**NOTE:**

Calibration and directory processing cause the tape to move for a few minutes before data is actually read.

- b. Automatically reads the cartridge
- c. Examines the data
- d. Verifies the data is a valid DLT4000 firmware image

Firmware update mode is automatically cleared at this point. If the firmware image is valid and:

- If the drive code is up-to-date, the drive code does not go through an update.
  - If the drive code is not up-to-date, the drive code goes through an update, taking 2 to 3 minutes.
4. While the drive code goes through the update, the Write Protect and Tape in Use indicators flash alternately.
  5. When the drive code update is complete, the drive resets, and goes through Power-On Selftest (POST). The process waits until the tape is reloaded at beginning of tape (BOT).
  6. If the firmware image is valid, the controller's flash EEPROM memory is automatically updated with the new firmware image. The Write Protect and Tape in Use indicators flash again during the controller firmware update.

### 3.11.1.1. Interpreting the Results (Tandberg DLT4000 Code Update)

Two possible results can occur:

- The firmware update cartridge is unloaded: this means a successful update.

On the DLT4000 drive, the media is placed into the cartridge, the door is unlocked, and the green Operate Handle indicator is turned on.

- The firmware update cartridge is NOT unloaded: this means the update was unsuccessful.

The subsystem should still be usable, but this depends on why the update failed. Reasons for failure could be:

1. Power failure
2. Bad image on the tape
3. Broken Flash EEPROMs

Table 3-7 below gives additional details:

If...	Then...
The image is valid	<ol style="list-style-type: none"> <li>1. The flash EEPROM containing the current firmware is erased.</li> <li>2. The new image is programmed in. The subsystem completes the update in about 2 minutes. Then: <ul style="list-style-type: none"> <li>• The tape drive resets itself.</li> <li>• POST takes place.</li> <li>• The drive automatically unloads the tape cartridge containing the firmware image, so you can remove the cartridge. This shows a successful firmware update.</li> </ul> </li> </ol>
<ol style="list-style-type: none"> <li>1. The tape is NOT a valid firmware update tape</li> <li>2. The tape does not contain a valid image</li> </ol>	No update is attempted. The Write Protect and Tape In Use indicators do not blink. The drive resets and the tape stays loaded to signal the firmware update was unsuccessful.
The tape contains a valid image, but for some reason the reprogramming flash memory fails	The controller is probably unusable and needs to be replaced. The tape drive resets itself and reruns POST, which fails if flash memory does not contain a valid image.

*Table 3-7 Results (Tandberg DLT4000) Code Update*

# TANDBERG DLT4000



## TAPE-BACKUP-SYSTEM Installations-Handbuch

**TANDBERG DATA ASA**  
P.O. Box 134 Kjelsås  
N-0411 OSLO, NORWAY  
Tel.: + 47 22 18 90 90  
Telefax + 47 22 18 95 50

© Tandberg Data ASA

Artikel Nr. 43 18 84-2  
Auflage-Nr. 9116-2  
Januar 1999

**Bei unserer Marketingabteilung sind folgende  
Publikationen erhältlich:**

<b>Publ.-Nr.</b>	<b>Teil-Nr.</b>	<b>Titel</b>
9117	43 18 85	Tandberg DLT4000 Betriebsanleitung
9118	43 18 86	Tandberg DLT4000 SCSI Schnittstellen – Funktionsbeschreibungen

Die vorliegende Publikation kann Entwürfe enthalten, für die Patente erteilt worden sind oder noch anstehen. Durch die Veröffentlichung dieser Informationen überträgt Tandberg Data ASA keine Lizenz für irgendein Patent oder irgendwelche anderen Rechte.

Große Anstrengungen sind unternommen worden, Fehler in den Texten und Tabellen zu vermeiden. TANDBERG DATA ASA übernimmt für eventuelle Fehler in dieser Publikation keine Verantwortung.

Die Firmenpolitik der TANDBERG DATA ASA ist die ständige Verbesserung der Produkte, sobald neue Techniken und Komponenten zur Verfügung stehen. Tandberg Data ASA behält sich deshalb das Recht vor, die Spezifikationen jederzeit abzuändern. Für eventuelle Kommentare zu dieser Publikation wären wir dankbar.

Das DLT-, DLTtape- und das DLTtape-Logo sind Warenzeichen der Quantum Corporation.

# Inhaltsverzeichnis

<b>1.</b>	<b>Produktbeschreibung und Leistungsmerkmale des Tandberg DLT4000-Laufwerks</b>	<b>1-1</b>
1.1.	Inhalt dieses Kapitels	1
1.2.	Produktbeschreibung	1
1.3.	Übertragungsgeschwindigkeit von Daten	2
1.4.	Hochleistungskapazität und Kompatibilität	2
1.5.	Datenverdichtung	2
1.6.	Haltbarkeit der Medien	3
1.7.	Kompatibilität	3
1.8.	Möglichkeit des Firmware-Updates	3
1.9.	Integrierte Diagnostik	3
<b>2.</b>	<b>Installation und Konfiguration des Tandberg DLT4000-Laufwerks</b>	<b>2-1</b>
2.1.	Inhalt dieses Kapitels	1
2.2.	Installationsvorbereitung	1
2.2.1.	Vor Beginn	2
2.2.2.	Installation	2
2.2.3.	Einrichtung	2
2.2.4.	Installationshinweise	2
2.3.	Installation des Laufwerks	4
2.4.	Konfiguration des Tandberg DLT4000-Tabletops	5
2.4.1.	Konfigurationshinweise	5
2.4.2.	Ausschalten der Paritätskontrolle	6
2.4.3.	Wechsel der SCSI-ID	6
2.5.	Anschließen der Kabel	7
2.5.1.	Überprüfen der Tandberg DLT4000- Rückseite	7
2.5.2.	Anschließen des SCSI-Signalkabels	8
2.5.3.	Abschließen des SCSI-Bus	8
2.5.4.	Wahl des richtigen Netzkabels	9
2.5.5.	Anschließen des Netzkabels	10

2.6.	<i>Test nach Installation</i>	11
2.6.1.	<i>Durchführen des automatischen Funktionstests (POST)</i>	11
2.6.2.	<i>Was mache ich nach dem automatischen Funktionstest (POST)?</i>	12
2.7.	<i>Tandberg DLT4000 Problemlösungs-Tabelle</i>	13
<b>3.</b>	<b><i>Konfiguration und Betrieb des Tandberg DLT4000-Laufwerks</i></b>	<b>3-1</b>
3.1.	<i>Inhalt dieses Kapitels</i>	1
3.2.	<i>Bevor Sie Ihr Tandberg DLT4000-Laufwerk installieren</i>	1
3.2.1.	<i>Ausschalten der Paritätskontrolle (Standard = Eingeschaltet)</i>	2
3.2.2.	<i>Wechsel der SCSI-ID</i>	5
3.2.3.	<i>Einstellen der TRM PWR (Single-Ended Only) Jumper (Standard = Ausgeschaltet)</i>	5
3.2.4.	<i>Platzierung der SCSI-Kabel und der Netzstecker</i>	6
3.3.	<i>Vorderansicht</i>	7
3.4.	<i>Auswahl der Speicherdichte</i>	8
3.5.	<i>Beschreibung der Bedienungselemente und Anzeigen</i>	11
3.5.1.	<i>Akustisches Signal</i>	11
3.5.2.	<i>Entnahmetaste</i>	11
3.5.3.	<i>Bedienungsklappe</i>	12
3.5.4.	<i>Anzeigentätigkeit während des automatischen Funktionstests (POST) und des Betriebs</i>	12
3.6.	<i>Beschreibung der Tape-Cartridge</i>	16
3.6.1.	<i>Cartridge-Schreibschutz-Schieber</i>	16
3.6.2.	<i>Schutz der Daten</i>	18
3.7.	<i>Einlegen einer Cartridge</i>	19
3.7.1.	<i>Band läuft</i>	21
3.8.	<i>Anwendung der Reinigungs-Cartridge (TANDBERG DATA Cleaning Cartridge P/N 43 18 78)</i>	22
3.9.	<i>Entnahme der Cartridge</i>	23
3.10.	<i>Aufbewahrung der Cartridges</i>	25



3.11.	<i>Ablauf des Firmware-Updates</i>	26
3.11.1.	<i>Firmware-Updates im Tandberg DLT4000-Laufwerk (Drive Only Configuration)</i>	27
3.11.1.1.	<i>Interpretation der Ergebnisse (Tandberg DLT4000 Code Update)</i>	29

*Diese Seite bleibt leer*

---

# 1.

## **Produktbeschreibung und Leistungsmerkmale des Tandberg DLT4000-Laufwerks**

### **1.1. Inhalt dieses Kapitels**

Kapitel 1 enthält die folgenden Hauptthemen und Abschnitte:

<b>Thema</b>	<b>Abschnitt</b>
Produktbeschreibung	1.2.
Datenübertragungsgeschwindigkeit	1.3.
Hochleistungs-Kapazität	1.4.
Datenverdichtung	1.5.
Haltbarkeit der Medien	1.6.
Kompatibilität	1.7.
Ablauf des Firmware-Updates	1.8.
Integrierte Diagnostik	1.9.

### **1.2. Produktbeschreibung**

Das Tandberg DLT4000 Laufwerk ist ein Hochleistungs-Tape-Streamer von hoher Kapazität, der für mittlere und sehr leistungsstarke Computersysteme entwickelt wurde. Durch seine Datenkomprimierung und -verdichtung hat das komprimierte Tandberg DLT4000 Laufwerk eine Speicherkapazität von 40 GB und eine ständige Benutzerdaten-Übertragungsgeschwindigkeit von 3.0 MB/s.

Das Tandberg DLT4000-Laufwerk ist ein 5-1/4 Zoll Formfaktor (9-Zoll Tiefe), 1/2 Zoll Magnetbandstreamer. Es ist mit einem Zwei-Kanal Lese-/Schreib-Kopf, einer hocheffizienten Lempel-Ziv (DLZ)- Datenkomprimierung und einem Magnetband-Inhaltsverzeichnis ausgestattet, um den Datendurchsatz zu maximieren und die für den Datenzugriff erforderliche Zeit zu minimieren.

Das Tandberg DLT4000-Laufwerk ist als internes oder externes Drive Kit mit Single-Ended- oder Differential-8-Bit-SCSI-2-Schnittstellen erhältlich.

### **1.3 Übertragungsgeschwindigkeit von Daten**

Bei unbeaufsichtigten Backups oder beim Archivieren hat das Tandberg DLT4000 Laufwerk, wenn es in einem unkomprimierten Modus arbeitet, eine maximale Übertragungsgeschwindigkeit von 1.5 MB/s (5.4 GB/h). Im komprimierten Modus beträgt die maximale Übertragungsgeschwindigkeit 3.0 MB/s beim Schreiben und mehr als 2.5 MB/s (9.0 GB/h) beim Lesen.

### **1.4 Hochleistungskapazität und Kompatibilität**

Sie können in das Tandberg DLT4000 Laufwerk folgende Cartridges einsetzen:

DLTtape<sup>TM</sup>III-Cartridge (10.0 / 20.0 GB)

DLTtape<sup>TM</sup>III XT-Cartridge (15.0 / 30.0 GB)

DLTtape<sup>TM</sup>IV-Cartridge (20.0 / 40.0 GB)

Die aktuelle, im Komprimierungsmodus gespeicherte Datenmenge hängt vom Datentyp ab. Man wählt die Komprimierung auf der Laufwerk-Vorderseite oder vom Host-Rechner mit dem SCSI MODE SELECT-Befehl.

### **1.5 Datenverdichtung**

Die Verdichtungsmerkmale des Tandberg DLT4000 Laufwerks unterstützen die effiziente Datenspeicherung. Ein Lese-/Schreib-Cachespeicher von bis zu 2.0 MB schafft Arbeitsplatz für die Verdichtung und somit eine maximale Ausnutzung des vorhandenen Bandplatzes.

## 1.6. Haltbarkeit der Medien

Das Bandmedium kann 1.000.000 Durchläufe ausführen und hat eine Lebensdauer von 10 Jahren. Es sichert somit höchste Haltbarkeit und Daten-zuverlässigkeit.

## 1.7. Kompatibilität

TANDBERG DATA ist bestrebt, die Kompatibilität innerhalb der DLT™-Familie zu gewährleisten. TANDBERG DLT4000 Laufwerke sind Produkte der dritten Generation und basieren auf der DLT-Technologie.

Das Tandberg DLT4000 Laufwerk entspricht den Anforderungen des ANSI-Standards für SCSI-2. Das Bandmedien-Format folgt ECMA-geprüften und ANSI-empfohlenen Standards.

Das Tandberg DLT4000 Laufwerk schreibt und liest die Bandformate 2,6, 6,0, 10,0 und 15,0 GB und ist zu 100% kompatibel mit früheren Laufwerken. Beim Schreiben vom Bandanfang (BOT) an reformatiert das Tandberg DLT4000-Subsystem die Cartridge, die im 2,6, 6,0, 10,0 oder 15,0 GB-Format gespeichert ist, in das neue angegebene Format.

## 1.8. Möglichkeit des Firmware-Updates

Die Flash-EEPROM-Technologie des Tandberg DLT4000-Laufwerks erlaubt eine einfache Aktualisierung der Firmware vor Ort vom Magnetband.

## 1.9. Integrierte Diagnostik

Das Tandberg DLT4000-Laufwerk hat eine integrierte Diagnostik-Software, die dem Benutzer den Zeitpunkt der Kopfreinigung, sowie die Ergebnisse der Diagnose und den Betriebszustand der Laufwerke anzeigt.

*Diese Seite bleibt leer*

---

# 2.

## ***Installation und Konfiguration des Tandberg DLT4000-Laufwerks***

### **2.1. Inhalt dieses Kapitels**

Kapitel 2 enthält die folgenden Hauptthemen und Abschnitte:

<b>Thema</b>	<b>Abschnitt</b>
Installationsvorbereitung	2.2.
Installation des externen Tandberg DLT4000 Laufwerks	2.3.
Konfiguration des externen Tandberg DLT4000 Laufwerks	2.4.
Anschließen der Kabel	2.5.
Test nach Installation	2.6.
Tandberg DLT4000-Problemlösungs-Tabelle	2.7.

### **2.2. Installationsvorbereitung**

Dieser Abschnitt beschreibt die Vorbereitung zur Installation des externen Tandberg DLT4000 Laufwerks:

<b>Themen</b>	<b>Abschnitt</b>
Vor Beginn	2.2.1.
Installation	2.2.2.
Einrichtung	2.2.3.
Installationshinweise	2.2.4.

### **2.2.1. Vor Beginn**

Die Installation des externen Tandberg DLT4000 Laufwerks erfordert keine besonderen Werkzeuge. Um die Schaltereinstellungen auf der Rückseite zu ändern, genügt ein Kugelschreiber.

Sollten Sie bei der Installation auf Schwierigkeiten stoßen, vgl. Problemlösungs-Tabelle 2-4 .

### **2.2.2. Installation**

Die Installation besteht aus folgenden Teilschritten:

<b>Schritt</b>	<b>Vorgang</b>
1	Lieferung auspacken und kontrollieren.
2	Standort für das externe Tandberg DLT4000 Laufwerk wählen.
3	Strom ausschalten an dem System, an welches das externe Tandberg DLT4000 Laufwerk angeschlossen werden soll.

---

### **2.2.3. Einrichtung**

Platzieren Sie das Tandberg DLT4000-Tabletop-Laufwerk auf eine flache, stabile, waagerechte Fläche, z. B. einen Schreibtisch oder eine Tischplatte.

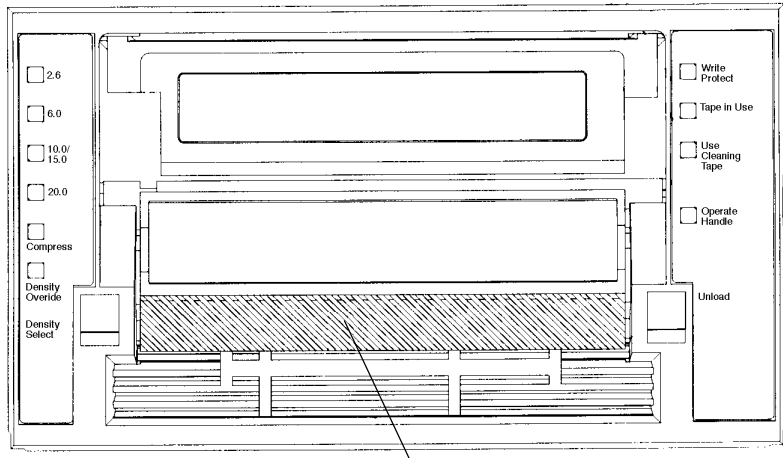
### **2.2.4. Installationshinweise**

Beachten Sie die folgenden Installationshinweise:

- Das Tandberg DLT4000 Laufwerk wurde für harte äußere Bedingungen entwickelt. Dennoch empfiehlt es sich, das Laufwerk in eine staub- und feuchtigkeitsfreie Umgebung zu stellen.



Bild 2-1 zeigt das Tandberg DLT4000 Laufwerk



Bedienungsklappe: Cartridge hier  
einlegen/Klappe loslasen

Bild 2-1 Laufwerk-Vorderseite

### Anzeigen (linke Seite des Laufwerks)

Anzeige für Speicherdichte 2.6 (Gelb)  
Anzeige für Speicherdichte 6.0 (Gelb)  
Anzeige für Speicherdichte 10.0/15.0  
(Gelb)  
Anzeige für Speicherdichte 20.0 (Gelb)  
Anzeige für Komprimierung (Gelb)  
Anzeige für die Auswahl der  
Schreibdichte (Gelb)

### Anzeigen (rechte Seite des Laufwerks)

Schreibschutz-Anzeige (Orange)  
"Band läuft"-Anzeige (Gelb)  
Reinigungs-Cartridge einlegen (Gelb)  
Anzeige für Bedienungsklappe (Grün)  
Akustisches Signal (nicht sichtbar)

### Bedienungselemente

Taste zur Auswahl der Speicherdichte  
Entnahmetaste  
Bedienungsklappe

Bild 2-2 zeigt die Platzierung der Stecker

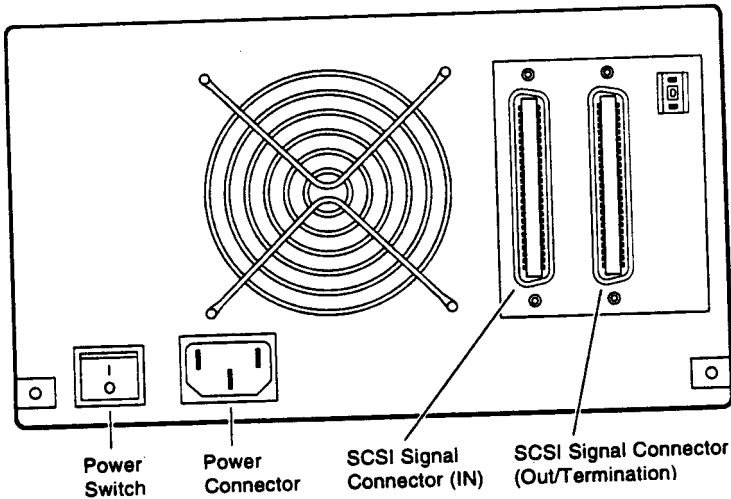


Bild 2-2 Tandberg DLT4000-Rückseite

## 2.3. Installation des Laufwerks

Installation des Tandberg DLT4000 Laufwerks:

Schritt	Vorgang	
1	Beachten Sie die Fabrik-Einstellungen des Tandberg DLT4000 Laufwerks.	
2	Lesen Sie Abschnitt 2.4.1.	
3	Konfiguration des Tandberg DLT4000-Tabletop-Laufwerks oder seine Nutzung innerhalb Ihres Systems	
	<b>Möchten Sie ...</b>	<b>Vgl. Abschnitt:</b>
	Paritätskontrolle ausschalten?	2.4.2.
	SCSI-ID wechseln?	2.4.3.
4	Kabel anschließen?	

## 2.4. Konfiguration des Tandberg DLT4000-Tabletops

Dieser Abschnitt beschreibt die Konfiguration des Tandberg DLT4000 Laufwerks:

Thema	Abschnitt
Konfigurationshinweise	2.4.1.
Ausschalten der Paritätskontrolle	2.4.2.
Wechsel der SCSI-ID	2.4.3.

Das Tandberg DLT4000 Laufwerk ist, wenn nichts anderes angegeben ist, vom Hersteller aus auf SCSI-ID 4 und Parity eingestellt.

### 2.4.1. Konfigurationshinweise

Zur Identifizierung und Adressierung des Tandberg DLT4000 Laufwerks verwenden alle Systeme die SCSI-ID. Beachten Sie diese Hinweise bei der Konfiguration des Tandberg DLT4000 Laufwerks in Ihrem System:

Ist das Tandberg DLT4000 bei Installation ...	dann ...
das einzige SCSI-Gerät am Bus oder eines von mehreren SCSI-Geräten am Bus,	vergewissern Sie sich, daß Sie eine SCSI-ID benutzen, die sich von jedem anderen Gerät oder ID-System am SCSI-Bus unterscheidet.
das letzte oder einzige Gerät am SCSI-Bus,	muss der Bus durch Installation eines Terminators am Laufwerk und durch Sicherstellung, dass der Host-Controller Term Power anbietet, abgeschlossen werden.

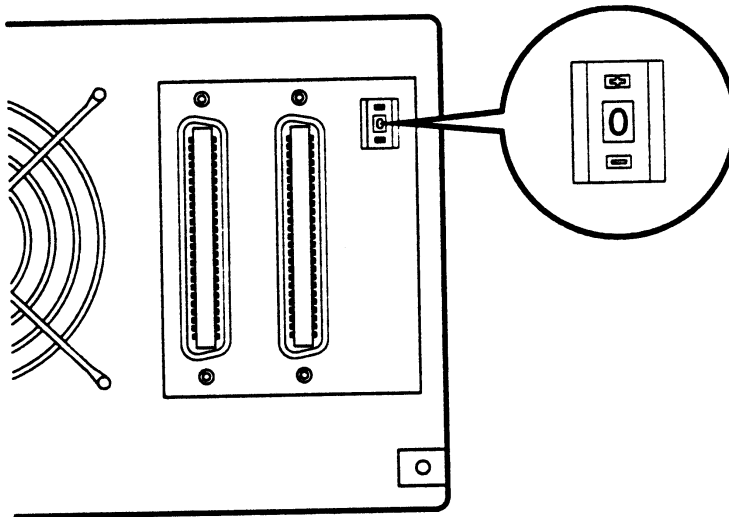
### 2.4.2. Ausschalten der Paritätskontrolle

Um die Paritätskontrolle auszuschalten, wenden Sie sich bitte an Ihren Kundendienstvertreter!

### 2.4.3. Wechsel der SCSI-ID

Man wechselt die SCSI-ID mit Hilfe des Drucktastenschalters auf der Rückseite des Laufwerks. Drücken Sie den Schalter über oder unter dem Nummerndisplay (0-7), um die gewünschte SCSI-ID einzustellen. Der obere Knopf steigert die Zahl, der untere Knopf vermindert die Zahl.

Bild 2-3 zeigt die Platzierung der SCSI-ID Drucktastenschalter.



*Bild 2-3 Wechsel der SCSI-ID mit Hilfe der Drucktastenschalter*

## 2.5. Anschließen der Kabel

Der Abschnitt 2.5. behandelt folgende Themen:

Thema	Abschnitt
Überprüfen der Tandberg DLT4000-Rückseite	2.5.1.
Anschließen des SCSI-Signalkabels	2.5.2.
Abschließen des SCSI-Bus	2.5.3.
Wahl des richtigen Netzkabels	2.5.4.
Anschließen des Netzkabels	2.5.5.

### 2.5.1. Überprüfen der Tandberg DLT4000-Rückseite

Überprüfen Sie die Komponenten auf der Tandberg DLT4000-Rückseite, bevor Sie die eigentliche Installation ausführen. (Bild 2-4).

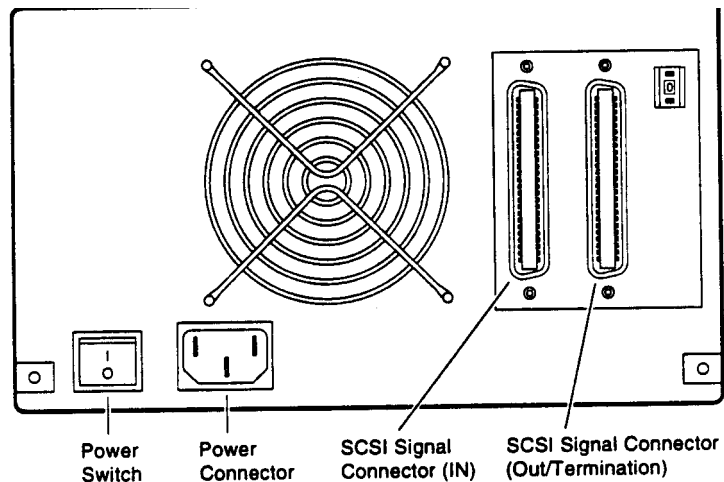


Bild 2-4 Rückseiten-Komponenten

### 2.5.2. Anschließen des SCSI-Signalkabels

Um das SCSI-Signalkabel anzuschließen:

1. Führen Sie ein Ende des SCSI-Kabels in den linken SCSI-Signalstecker auf der Rückseite des Tandberg DLT4000.
2. Befestigen Sie die Kabelklammern, um das Kabel zu sichern.
3. Führen Sie das andere Ende des SCSI-Signalkabels in den SCSI-Stecker an Ihrem System oder, bei Serien-Konfiguration, in den Stecker zur nächsten SCSI-Einheit.

In Ihrem Systemhandbuch entnehmen Sie bitte, welche System-SCSI-Anschlüsse Sie benötigen.

### 2.5.3. Abschließen des SCSI-Bus

Hinweis:

Das letzte Device (intern und extern) innerhalb des SCSI-Bus muss aktiv terminiert sein.

Die Tabelle 2-1 verdeutlicht, wann und wo ein Terminator anzubringen ist.

<b>Ist das Tandberg DLT4000 ...</b>	<b>dann ...</b>
...das letzte oder einzige Gerät am Bus und Sie schließen die Kabel extern ab	<ol style="list-style-type: none"> <li>1. verbinden Sie den SCSI-Terminator mit einem der SCSI-Signalstecker auf Rückseite des Tandberg DLT4000 Laufwerkes.</li> <li>2. befestigen Sie die Kabelklammern oder ziehen die Schrauben an (je nach Vorhandensein), um den Terminator zu sichern.</li> </ol>
... nicht das letzte oder einzige Gerät am SCSI-Bus	stellen Sie sicher, daß der Terminator am Ende des Bus' angebracht wird.

*Tabelle 2-1 Anbringen eines Terminators*

### 2.5.4. Wahl des richtigen Netzkabels

**ACHTUNG!**

Versuchen Sie nie, ein externes 100 – 115 Volt Netzkabel bei vorgesehener 220 – 240 Volt Eingangsleistung zu ändern oder zu benutzen. Änderungen an Kabeln können zu ernsthaften Personen- und Sachschäden führen.

Zusammen mit Ihrem Gerät erhalten Sie zwei Netzstromkabel. Wählen Sie nach untenstehender Kriterienliste sorgfältig das richtige Kabel für Ihr Land oder Ihre Region aus. Sollten Sie bezweifeln, dass das gelieferte Netzkabel richtig ist, verständigen Sie Ihren zugelassenen TANDBERG DATA Kundendienstvertreter.

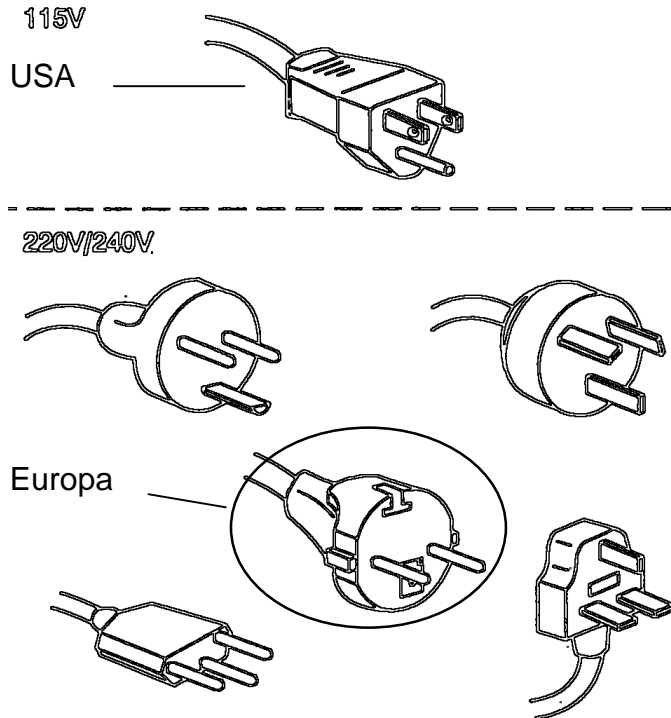
Ein Netzkabel für dieses Gerät muß folgende Kriterien erfüllen:

1. In den USA (UL) und Kanada (CSA) zertifizierte und für die Verwendung bei 250 Volt zugelassene Kabel mit einer Stromleistung von mindestens 125% der Produktstromleistung. In Europa müssen die Kabel mit dem <HAR> Zeichen versehen sein.
2. Der Netzkabelstecker muß mit einem geerdeten Außenstecker abgeschlossen sein, der für Ihr Land entwickelt worden ist. Er muß ebenfalls mit einem Zertifikat einer in Ihrem Land zugelassenen Stelle versehen sein.
3. Der Stecker am Ende des Produkts muss vom Typ IEC CEE 22 sein.
4. Das Kabel darf nicht länger als 4,5 Meter sein.

**Hinweis:**

Das Netzkabel sollte folgende Mindestanforderungen erfüllen: 18/3 AMG (Drahtdicke), 60°C, Typ SJT oder SVT.

Bild 2-5 zeigt die Stecker der verschiedenen Netzkabel für 115V und 220V/240V.



*Bild 2-5 Stromleitungen*

### **2.5.5. Anschließen des Netzkabels**

Bei Anschließen des Netzkabels:

1. Überprüfen Sie, dass der Tandberg DLT4000 Stromschalter auf 0 steht (OFF/AUS).
2. Verbinden Sie das Netzkabel mit den Tandberg DLT4000-Steckern. Kontrollieren Sie, dass der Stecker sicher eingesteckt ist.
3. Verbinden Sie das andere Ende des Netzkabels mit einer nahegelegenen Netzsteckdose.



## 2.6. Test nach Installation

Abschnitt 2.6. enthält die folgenden Themen:

Thema	Abschnitt
Durchführen des automatischen Funktionstests (POST)	2.6.1.
Was mache ich nach dem POST?	2.6.2.

### 2.6.1. Durchführen des automatischen Funktionstests (POST)

Testen der Installation des Tandberg DLT4000 Laufwerks mit Hilfe des automatischen Funktionstests (POST):

1. System einschalten.
2. Stromschalter auf der Tandberg DLT4000-Rückseite einschalten. Der POST läuft automatisch ab.
3. Beobachten Sie die Leuchtanzeigen an der Vorderseite des Tandberg DLT4000. Überprüfen Sie, dass die Anzeigensequenz der Vorgänge mit Tabelle 2-2 übereinstimmt. Die Vorgänge auf der rechten und linken Seite laufen gleichzeitig ab.

Vorgang	Beschreibung
1	Die Anzeigen auf der rechten Seite leuchten nacheinander von oben nach unten für einige Sekunden auf.
2	Alle Anzeigen auf der linken Seite leuchten für etwa drei Sekunden gleichzeitig auf und erlöschen wieder.
3	Die grüne Anzeige "Bedienungsklappe frei", die orange "Schreibschutz ein" und die gelbe Anzeige "Reinigungs-Cartridge einlegen" erlöschen. Die gelbe Anzeige "Band läuft" blinkt, während das Band initialisiert wird.
4	Wenn nach Abschluß der Initialisierung keine Cartridge eingelegt ist, leuchtet die gelbe Anzeige "Band läuft" nicht, die grüne Anzeige "Bedienungsklappe frei" leuchtet auf, die Klappe ist bedienungsbereit, und ein akustisches Signal ertönt.

*Tabelle 2-2 POST*

Weitere Informationen zu Vorgängen nach Initialisierung bei eingelegter Cartridge und heruntergeklappter Bedienungsklappe oder bei eingelegter Cartridge und hochgeklappter Bedienungsklappe (nicht empfehlenswert), finden sich in Kapitel 3, Abschnitt 3.5.4

Der automatische Funktionstest (POST) ist nach etwa 13 Sekunden abgeschlossen, und das Laufwerk kann normal benutzt werden. Es kann jedoch etwas länger dauern, bis das Medium speicherbereit ist. Nach einem Bus-Reset antwortet das Laufwerk innerhalb einer bestimmten Bus-Auswahl-Pause.

### **2.6.2. Was mache ich nach dem automatischen Funktionstest (POST)?**

<b>Wenn ...</b>	<b>dann ...</b>
...alle Vorgänge der Tabelle 2-2 stattgefunden haben,	ist der automatische Funktionstest erfolgreich beendet. Danach System einschalten und die gewünschten Systemtests durchführen. Vgl. Kapitel 3 für den Betrieb des Laufwerks und die Auswahl der Speicherdichte.
...entweder alle rechten oder alle linken Anzeigen aufleuchten,	... hat der Funktionstest versagt. (Vgl. Tabelle 2-4).

*Tabelle 2-3 Nach dem POST*

## 2.7. Tandberg DLT4000 Problemlösungs-Tabelle

Wenn das Tandberg DLT4000 Laufwerk während des automatischen Funktionstests oder während des Betriebes versagen sollte, finden Sie mit Hilfe der *Tabelle 2-4* das Problem und Schritte zu seiner Lösung:

Problem ...	Lösung...	Was tun? ...
Ihr System erkennt das Tandberg DLT4000-Tabletop-Laufwerk nicht.	Ihr System ist vielleicht nicht für die Erkennung der SCSI-ID konfiguriert.	System zur Erkennung der ID konfigurieren.
	Die SCSI-ID ist vielleicht nicht eindeutig.	Die SCSI-ID wechseln und das System neu konfigurieren. Die neue ID ist wirksam, sobald der Strom eingeschaltet ist.
	Die Parameter Ihres SCSI-Adapters können fehlerhaft sein.	Überprüfen Sie die Installation Ihres SCSI-Adapters.
	Das SCSI- Signalkabel kann sich gelöst haben.	Überprüfen Sie, ob die Endstücke des Kabels richtig im Stecker stecken.
	Der SCSI-Terminator kann nicht vorhanden sein oder sich gelöst haben.	Installieren Sie den Terminator und überprüfen Sie, ob er richtig befestigt ist.
	Der SCSI-Bus kann nicht richtig abgeschlossen sein.	Wenn das Tandberg DLT4000- Tabletop-Laufwerk das letzte oder einzige Gerät am Bus ist, überprüfen Sie, ob der Terminator am Laufwerk installiert ist. Wenn das Tandberg DLT4000- Tabletop-Laufwerk nicht das letzte oder einzige Gerät am Bus ist, überprüfen Sie die Kabelverbindungen und die Installation des Terminators am Bus-Ende.
	Der SCSI-Terminator kann am Bus-Ende fehlen, oder es können mehr als zwei Terminatoren vorhanden sein.	Überprüfen Sie, daß an jedem Bus-Ende ein Terminator installiert ist. Ein Terminator ist normalerweise am System installiert.

*Tabelle 2-4 Tandberg DLT4000 Problemlösungstabelle*

<b>Problem:</b>	<b>Lösung:</b>	<b>Was tun? ...</b>
Ihr System erkennt das Tandberg DLT4000-Tabletop-Laufwerk nicht.	<ol style="list-style-type: none"> <li>1. Der SCSI-Bus kann zu lang sein.</li> <li>2. Zu viele Einheiten hängen am Bus.</li> </ol>	<ol style="list-style-type: none"> <li>1. Begrenzen Sie die Bus-Länge auf den ANSI-SCSI-Standard von 6 Metern Single-Ended (SE) oder von 25 Metern bei Differential.</li> <li>2. Begrenzen Sie die Anzahl der Einheiten am Bus (einschließlich des Systems) auf acht. Überprüfen Sie die Konfigurationsregeln Ihres Systems.</li> </ol>
Das Tandberg DLT4000-Tabletop-Laufwerk startet nicht.	Dem Tandberg DLT4000-Tabletop-Laufwerk fehlt der Strom.	Überprüfen Sie die Tandberg DLT4000 Netzkabel, während der Strom ausgeschaltet ist.
Alle rechten oder alle linken Anzeigen an der Tandberg DLT4000 Vorderseite blinken.	Ein Laufwerkfehler ist entstanden.	Band entnehmen und Laufwerk neu initialisieren, indem Sie die Entnahmetaste drücken oder den Strom aus- und wieder einschalten. Die rechten und linken Anzeigen erlöschen, und das Laufwerk versucht eine Initialisierung. Die Anzeigen gehen ständig an und wieder aus, wenn der Test gelingt. .
Sie entdecken schwere oder weniger schwere Fehler, für die Sie keine Ursache erkennen können.	Das Bus-Ende oder die Signalkabelverbindungen können fehlerhaft sein.	Überprüfen Sie, dass der SCSI-Bus abgeschlossen ist.
	Die Erdung der Stromquelle kann fehlerhaft sein.	Benutzen Sie für das Tandberg DLT4000-Tabletop-Laufwerk einen Stromanschluß an demselben Netzkabel, das das System mit Strom versorgt.

*Tabelle 2-4 Tandberg DLT4000 Problemlösungstabelle (Fortsetzung)*

Nachdem Sie alle in Tabelle 2-4 beschriebenen Handlungen durchgeführt haben, schalten Sie das Tandberg DLT4000 Laufwerk wieder ein und lassen Sie den automatischen Funktionstest noch einmal ablaufen. Wenn jetzt alle rechten oder linken Anzeigen noch einmal blinken, liegt wahrscheinlich ein Hardware-Fehler vor.

---

# 3.

## ***Konfiguration und Betrieb des Tandberg DLT4000- Laufwerks***

### **3.1. Inhalt dieses Kapitels**

Der Abschnitt über die Konfiguration in diesem Kapitel bezieht sich auf das ursprüngliche Laufwerk ohne externes Beistellgehäuse. (Das Kapitel 2 bezieht sich auf die Konfiguration des externen Gehäuses.) Das Kapitel 3 enthält diese Hauptthemen und Abschnitte:

<b>Thema</b>	<b>Abschnitt</b>
Bevor Sie Ihr Tandberg DLT4000 Laufwerk installieren	3.2.
Wahl der Dichte	3.3.
Vorderansicht (Überblick)	3.4.
Beschreibung der Bedienungselemente und Anzeigen	3.5.
Beschreibung der Tape-Cartridge	3.6.
Einlegen der Cartridge	3.7.
Anwendung der Reinigungs-Cartridge	3.8.
Entnahme der Cartridge	3.9.
Aufbewahrung der Cartridges	3.10.
Ablauf des Firmware-Updates	3.11.

### **3.2. Bevor Sie Ihr Tandberg DLT4000-Laufwerk installieren**

Abschnitt 3.2. enthält:

<b>Thema</b>	<b>Abschnitt</b>
Paritätskontrolle ausschalten	3.2.1.
Wechsel der SCSI-ID	3.2.2.
Einstellen der TRM PWR-Jumper	3.2.3.
Anbringen der SCSI-Kabel und der Stromstecker	3.2.4.

### 3.2.1. Ausschalten der Paritätskontrolle (Standard = Eingeschaltet)

Wenn Ihr System keine Parity generiert, können Sie die Paritätskontrolle ausschalten, indem Sie am SCSI-Stecker auf der linken Seite des Tandberg DLT4000-Laufwerks einen Jumper anbringen (Bild 3-1).

Um die Parität auszuschalten:

1. Vgl. Bild 3-1, Nummer ❷, um den SCSI-ID-Stecker am Laufwerk anzubringen.

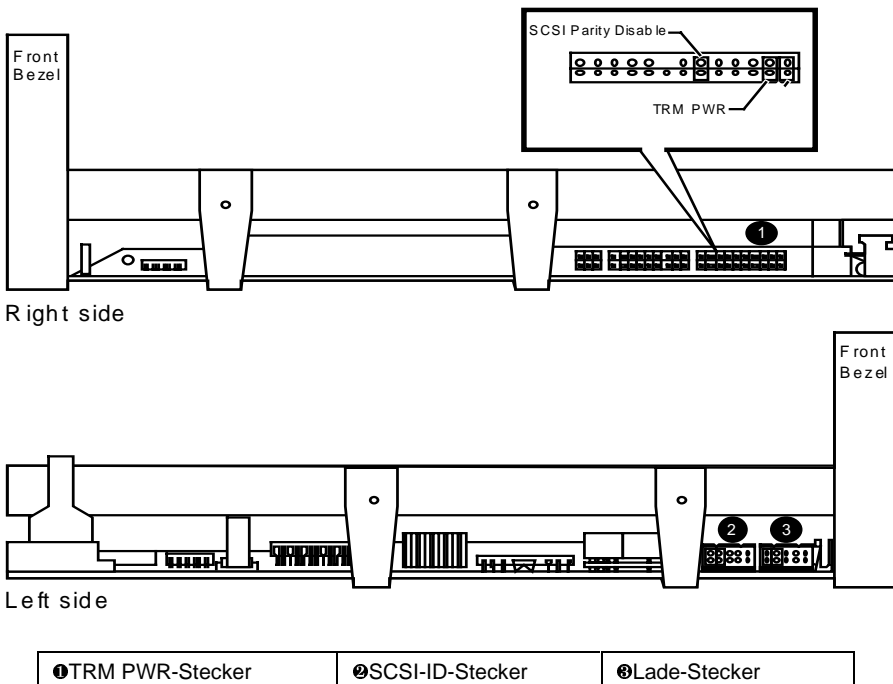
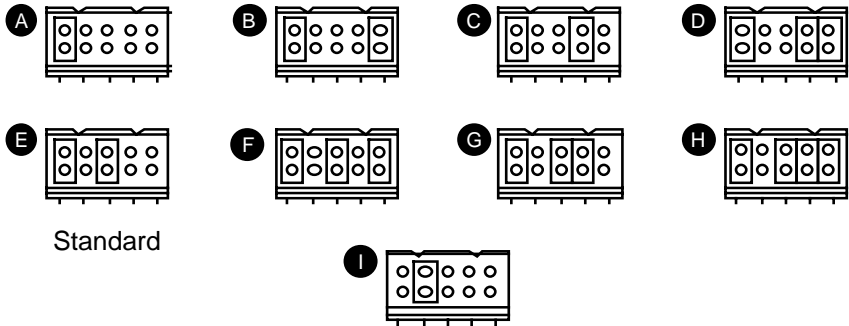


Bild 3-1 Tandberg DLT4000 Laufwerk-Stecker

2. Platzieren Sie den Jumper in die Position "Paritätskontrolle ausschalten", wie unter Buchstabe I, Bild 3-2 dargestellt.

8 - Bit



Standard

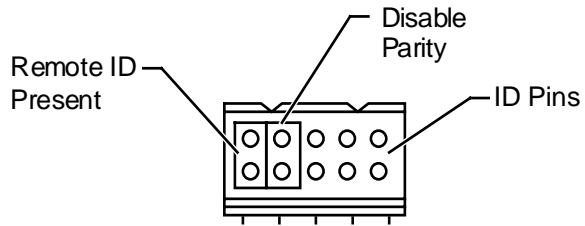
---

A. SCSI-ID 0	D. SCSI-ID 3	G. SCSI-ID 6
B. SCSI-ID 1	E. SCSI-ID 4 (Standard)	H. SCSI-ID 7
C. SCSI-ID 2	F. SCSI-ID 5	I. Paritätskontrolle ausschalten. Der Jumper paßt in dieser Position zu jeder gewählten SCSI-ID.

---

*Bild 3-2 Jumper-Positionen*

Bild 3-3 zeigt, welche Bedeutung die Pins in dem SCSI-ID-Stecker haben.



*Bild 3-3 SCSI-ID-Pins im Stecker*

**Hinweis:**

Ein Jumper muß für den Host-Rechner immer in der jeweiligen Fern-ID-Position platziert sein (Bild 3-3), damit er jede ID-Wahl dieses Steckers erkennt.



### **3.2.2. Wechsel der SCSI-ID**

Das Laufwerk ist, wenn nichts anderes angegeben ist, mit einer SCSI-ID 4 versehen. Sie können die SCSI-ID ändern, indem Sie die Jumper am SCSI-Stecker des Laufwerks ändern (Bild 3-1).

Um die SCSI-ID zu ändern:

1. Vgl. Bild 3-1, Nummer ❷, um den SCSI-ID-Stecker zu lokalisieren.
2. Wählen Sie eine SCSI-ID zwischen 0 und 7.
3. Vgl. Bild 3-2, um zu erkennen, wo Sie den Jumper für die gewählte ID anbringen müssen. Zum Beispiel, wenn Sie die SCSI-ID 1 wählen, setzen Sie die Jumper in die gleiche Position wie die bei Buchstabe B.

### **3.2.3. Einstellen der TRM PWR (Single-Ended Only) Jumper (Standard = Ausgeschaltet)**

Hinweis:  
Der "Small Computer System Interface" (SCSI)-Bus muss an beiden Enden des Busi abgeschlossen sein, und zumindest eine Einheit muß die Terminator-Power liefern.

Sie können das Tandberg DLT4000-Laufwerk so konfigurieren, daß es die Termination-Power für externe SCSI-Terminatoren liefert.

Um den SCSI-Bus mit Terminator Power zu versorgen:

1. Vgl. Bild 3-1, Nummer ❶, um den TRM PWR Stecker am Laufwerk zu platzieren.
2. Platzieren Sie die Jumper in die auf Bild 3-4, Nummer ❷, gezeigten Positionen.



Bild 3-4 Einstellen der TRM PWR

- ❶ No Term Power      ❷ Term Power

### 3.2.4. Platzierung der SCSI-Kabel und der Netzstecker

Bevor Sie das Tandberg DLT4000-Laufwerk installieren, merken Sie sich die Platzierung der Stecker auf der Rückseite:

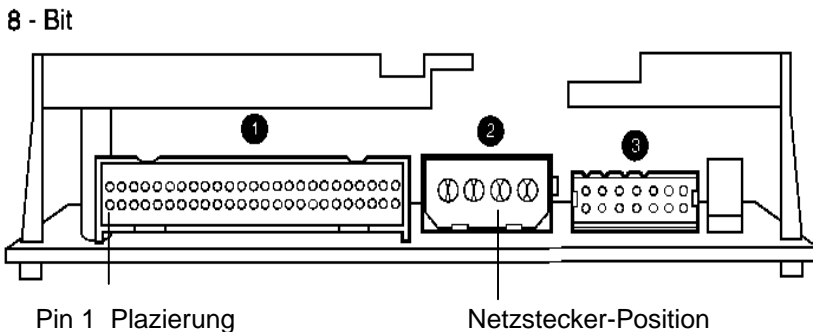


Bild 3-5 Tandberg DLT4000-Stecker auf der Rückseite

- ❶ SCSI Stecker      ❷ Netzstecker
- ❸ Stecker  
(Custom Power Connection)

### 3.3. Vorderansicht

Das Tandberg DLT4000-Laufwerk hat für den Betrieb des Laufwerks die folgenden Leuchtanzeigen und Bedienungselemente (Bild 3-6).

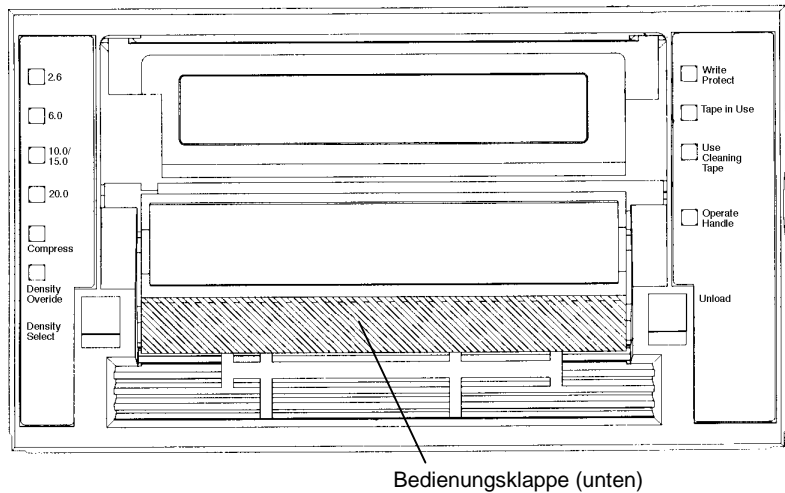


Bild 3-6 Tandberg DLT4000-Leuchtanzeigen

#### Anzeigen (linke Seite des Laufwerks)

- Anzeige für Speicherdichte 2.6 (Gelb)
- Anzeige für Speicherdichte 6.0 (Gelb)
- Anzeige für Speicherdichte 10.0/15.0 (Gelb)
- Anzeige für Speicherdichte 20.0 (Gelb)
- Anzeige für Komprimierung (Gelb)
- Anzeige für die Auswahl der Schreibdichte (Gelb)

#### Anzeigen (rechte Seite des Laufwerks)

- Schreibschutz-Anzeige (Orange)
- “Band läuft“-Anzeige (Gelb)
- Reinigungs-Cartridge einlegen (Gelb)
- Anzeige für Bedienungsklappe (Grün)
- Akustisches Signal (unsichtbar)

#### Bedienungselemente

- Taste zur Auswahl der Speicherdichte
- Entnahmetaste
- Bedienungsklappe

### 3.4. Auswahl der Speicherdichte

Abschnitt 3.4. beschreibt die Auswahlmerkmale der Speicherdichte des Laufwerks.

**VORSICHT!**

**Benutzt man ein schon bespieltes Band und beschreibt es von Bandanfang (BOT) an, gehen alle vorher gespeicherten Daten verloren. Dies gilt auch für die Änderungen der Speicherdichte, da diese nur beim Schreiben vom Bandanfang an vorgegeben werden.**

#### **Wege zur Auswahl der Speicherdichte**

Bei Gebrauch des DLTtape IV beträgt die Standarddichte 20.0 GB unkomprimierte Daten. Hier kann nur Komprimierung EIN oder AUS gewählt werden.

Beim DLTtape-III beträgt die Standarddichte 10.0 GB unkomprimierte Daten. Bei dieser Cartridge ist entweder die 2.6, 6.0, 10.0 GB Komprimierung aus- oder die 20.0 GB Komprimierung eingeschaltet.

Bei dem DLTtape-IIIxt ist die Standarddichte 15.0 GB unkomprimierte Daten oder 30.0 GB komprimierte Daten.

Beim DLTtape-IV kann der Benutzer durch jede der folgenden Vorgänge die Speicherdichte auswählen:

1. Bei allen Lesevorgängen und allen schreibabhängigen Vorgängen, ist die aufgenommene Dichte zu benutzen.
2. Beim Schreiben vom Bandanfang an kann die Dichte geändert werden durch:
  - Druck auf die Taste für die Auswahl der Schreibdichte. Bei Benutzung dieser Taste wird die Wahl des Host-Rechners immer geändert.
  - Eine programmierbare Auswahl des Host-Rechners über Ihr Operativ-System. (Die Anzeige für die Auswahl der Schreibdichte leuchtet nicht auf, wodurch eine automatische oder eine Auswahl der Speicherdichte durch den Host-Rechner angezeigt wird.)
  - Unkomprimierte Standard-Dichte 20.0 GB und Komprimieren (vorausgesetzt, die Taste für die Auswahl der Speicherdichte oder die Wahl des Host-Rechners wurde nicht benutzt.

### Wie wählt man die Speicherdichte?

Auswahl der Speicherdichte mit dem Tandberg DLT4000-Laufwerk:

1. Legen Sie das Band in das Laufwerk. Die gelbe Anzeige "Band läuft" leuchtet, während das Band geladen wird und kalibriert.
2. Nach beendeter Kalibrierung leuchtet die Anzeige "Band läuft" weiter.
3. Die Anzeige zeigt die eingegebene Dichte des Bandes, wie z.B. 2.6 GB oder 6.0 GB.
4. Sie können zu verschiedenen Zeiten das Kontrollpanel des Laufwerks benutzen, jedoch nicht sofort nach Laden des Tapes. Die Auswahl der Speicherdichte ist nicht aktiviert, bevor der Befehl "Schreiben von Bandanfang" gegeben ist. Der Controller erinnert sich an die gewählte Speicherdichte, bis Sie eine der folgenden Handlungen ausführen:
  - Änderung der Speicherdichte
  - Entnahme des Bandes

### Beispiele für die Auswahl der Speicherdichte

Wenn Sie ein Band mit einer vorher eingegebenen Speicherdichte von 2.6 GB geladen haben und mit Hilfe der Taste für die Wahl der Speicherdichte 10.0 GB auswählen, sollte folgendes passieren:

- Die Anzeige 2.6 leuchtet weiter. ó Die Speicherdichte ist noch nicht geändert, und die ständig leuchtende Anzeige zeigt die vorher eingegebene Speicherdichte des Bandes an.
- Die 10.0/15.0 Anzeige leuchtet. ó Die Änderung der Speicher steht bevor.
- Anzeige für die Auswahl der Schreibdichte leuchtet.

Beim Schreiben vom Bandanfang an sollte folgendes geschehen:

- Die 2.6-Anzeige erlischt.
- Die 10.0/15.0-Anzeige leuchtet konstant.
- Die Anzeige für die Auswahl der Schreibdichte leuchtet weiter.

Tabelle 3-1 zeigt die Ergebnisse der Auswahl der Speicherdichte.

<b>Wenn ...</b>	<b>dann ...</b>
die Taste zur Auswahl der Speicherdichte nicht benutzt wurde,	zeigt die Anzeige die aktuelle Speicherdichte beim Lesen und Schreiben des Bandes. Die Anzeigen leuchten konstant, und die Anzeige für die Auswahl der Schreibdichte ist aus.
die Taste zur Auswahl der Speicherdichte benutzt wurde und die aktuelle Speicherdichte die gleiche ist wie die gewählte,	leuchten die Anzeigen für die aktuelle Speicherdichte und die Auswahl der Schreibdichte auf. Z. B., wenn die aktuelle Banddichte 10.0 GB und die ebenfalls gewählte 10.0 GB beträgt, dann leuchtet die Anzeige, die 10.0/15.0 am nächsten liegt, auf.
die Taste zur Auswahl der Speicherdichte benutzt wurde und die aktuelle Banddichte von der gewählten Speicherdichte abweicht,	<ol style="list-style-type: none"> <li>1. leuchtet die Anzeige der aktuellen Speicherdichte konstant.</li> <li>2. blinkt die Anzeige mit der gewählten Speicherdichte.</li> <li>3. leuchtet die Anzeige für die Auswahl der Schreibdichte konstant.</li> </ol> <p>Z. B., wenn die aktuelle Banddichte 10.0 GB beträgt und die gewählte Dichte 6.0 GB ist, leuchtet die 10.0/15.0 Anzeige konstant, die 6.0 Anzeige blinkt, und die Anzeige zur Auswahl der Schreibdichte leuchtet konstant.</p>

*Tabelle 3-1 Ergebnisse der Auswahl der Speicherdichte.*

Auswahl der Speicherdichte über den SCSI-Bus:

1. Wählen Sie über SCSI MODE SELECT die gewünschte Speicherdichte.
2. Schreiben Sie die Daten vom Bandanfang an (BOT).

## 3.5. Beschreibung der Bedienungselemente und Anzeigen

Abschnitt 3.5. enthält die folgenden Abschnitte:

Thema	Abschnitt
Akustisches Signal	3.5.1.
Entnahmetaste	3.5.2.
Bedienungsklappe	3.5.3.
Anzeigentätigkeit während des automatischen Funktionstests (POST) und des Betriebs	3.5.4.

### 3.5.1. Akustisches Signal

Bevor Sie die Bedienungsklappe betätigen können, ertönt ein akustisches Signal (Piepton). Bei Ertönen des Signals sollte die grüne Anzeige "Bedienungs-klappe frei" leuchten.

### 3.5.2. Entnahmetaste

Die Entnahmetaste dient der Entnahme des Bandes. Bei Drücken der Entnahmetaste wartet das Tandberg DLT4000 Laufwerk, bis eine aktive Schreibfunktion beendet ist, bevor der Entnahmevorgang beginnt.

Dann spult das Laufwerk das Band in die Cartridge zurück. Das Band muß ganz in die Cartridge zurückgespult sein, bevor Sie die Cartridge aus dem Laufwerk nehmen können. Diese Entnahme kann vom Bandanfang 20 Sekunden dauern.

Befindet sich das Laufwerk in einem Fehler-Zustand (alle rechten Anzeigen auf der Vorderseite leuchten), bewirkt ein Druck auf die Entnahmetaste einen Reset des Laufwerks und, wenn möglich, ein Zurückspulen des Bandes.

### **3.5.3. Bedienungsklappe**

Betätigen Sie die Bedienungsklappe nur, wenn die Anzeige "Bedienungsklappe frei" leuchtet und nachdem das kurze akustische Signal ertönt ist. Die Klappe zeigt in geöffneter Position nach oben und in geschlossener Position nach unten. (Vgl. Abschnitte 3.7. und 3.9. - Betriebsvorgänge).

### **3.5.4. Anzeigentätigkeit während des automatischen Funktionstests (POST) und des Betriebs**

Nach Einschalten des Systems läuft der automatische Funktionstest (POST) ab. Die Vorgänge laufen in folgender Reihenfolge ab:

<b>Vorgang</b>	<b>Beschreibung</b>
1	Die Anzeigen auf der rechten Vorderseite leuchten nacheinander von oben nach unten für einige Sekunden auf.
2	Die Anzeigen auf der linken Vorderseite leuchten gleichzeitig für etwa drei Sekunden auf und erlöschen wieder.
3	Die grüne Anzeige "Bedienungsklappe frei", die orange Anzeige "Schreibschutz ein" und die gelbe Anzeige "Reinigungs-Cartridge einlegen" erlöschen. Die gelbe Anzeige "Band läuft" blinkt, während das Bandlaufwerk initialisiert wird.
4	Nach Abschluß der Initialisierung befindet sich das Laufwerk in einem der folgenden vier Betriebszustände:



Betriebszustand	Beschreibung der Anzeigen und Vorgänge
a. Keine Cartridge ist eingelegt.	<ol style="list-style-type: none"> <li>1. Die gelbe Anzeige "Band läuft" erlischt.</li> <li>2. Die grüne "Bedienungsklappe frei" leuchtet auf.</li> <li>3. Die Bedienungsklappe kann betätigt werden.</li> <li>4. Kurzes akustisches Signal ertönt.</li> </ol> <p>Sie können jetzt die Bedienungsklappe öffnen und eine Cartridge einlegen.</p>
b. Die Cartridge ist eingelegt, und Bedienungsklappe zeigt nach unten.	<p>Das Laufwerk spult die Cartridge. Wenn die gelbe Anzeige "Band läuft" aufhört zu blinken und konstant leuchtet, wird die aktuelle Speicherdichte des Bandes angezeigt. Z. B., wenn die aktuelle Speicherdichte des Bandes 2.6 GB ist, leuchtet die Anzeige, die dem 2.6 Label am nächsten kommt, auf. Leuchtet die Anzeige für die Auswahl der Schreibdichte auf, kann eine Speicherdichte gewählt werden. Das Laufwerk kann jetzt benutzt werden. (Vgl. Abschnitt 3.4)</p>
c. Die Cartridge ist eingelegt, doch die Klappe zeigt nach oben (nicht empfehlenswert).	<p>Die gelbe "Band läuft" erlischt. Die grüne Anzeige "Bedienungsklappe frei" blinkt. Klappe schließen, und die Cartridge spult.</p>
d. Das Laufwerk entdeckt einen Fehler.	<p>Alle rechten oder linken Anzeigen blinken wiederholt. Der Fehler kann eventuell durch Entnehmen des Bandes und erneutes Initialisieren des Laufwerks (Entnahmetaste drücken) oder durch Aus- und Wiedereinschalten des Stroms behoben werden. Die rechten oder linken Anzeigen erlöschen, und das Laufwerk versucht eine erneute Initialisierung. Die Anzeigen leuchten konstant und erlöschen, wenn der Test erfolgreich war.</p>
e. Das Laufwerk ist eingeschaltet, und die Klappe ist offen.	<p>Die Anzeige "Bedienungsklappe frei" blinkt; schließen Sie die Klappe und warten Sie auf eine konstante Anzeige.</p>

Der automatische Funktionstest (POST) ist nach etwa 15 Sekunden beendet und das Laufwerk führt alle Befehle normal aus. Dennoch kann es länger dauern, bis das Medium betriebsbereit ist. Nach einem Bus-Reset antwortet das Laufwerk innerhalb einer bestimmten Bus-Auswahl-Pause. Benutzen Sie die folgende, um den Betriebszustand des Laufwerks zu bestimmen:

Anzeige	Farbe	Zustand	Beschreibung
<b>(Vorderseite rechts)</b>			
"Schreibschutz ein"	Orange	An	Band ist schreibgeschützt.
		Aus	Band ist nicht schreibgeschützt.
"Band läuft"	Gelb	Blinkt	Band läuft.
		An	Band ist eingelegt und betriebsbereit.
Reinigungs-Cartridge einlegen	Gelb	An	Reinigung des Laufwerkkopfes ist notwendig, oder die Bandqualität ist schlecht (Abschnitt 3.8).
		Leuchtet nach Entnahme der Reinigungs-Cartridge.	Das Reinigungsband beginnt mit der Reinigung, doch das Band ist aufgebraucht. Reinigung nicht ausgeführt.
		Leuchtet nach Reinigung beim Einlegen der Daten-Cartridge auf.	Fehlerhafte Data-Cartridge. Neue Cartridge einlegen.
		Aus	Reinigung beendet oder nicht erforderlich.
"Bedienungsklappe frei"	Grün	An	Cartridge kann eingelegt werden. Bedienungsklappe kann betätigt werden.
		Aus	Cartridge kann nicht eingelegt werden. Bedienungsklappe darf nicht betätigt werden.
		Blinkt	Klappe schließen und auf eine konstante grüne Anzeige warten, bevor Sie die Cartridge einlegen.
Sämtliche vier Anzeigen rechts oder sämtliche vier Anzeigen links	–	An	Der POST startet.
		Blinken	Ein Fehler ist entstanden. (Vgl. Tabelle 2-4, Tandberg DLT4000 Problemlösungs-Tabelle).

Tabelle 3-2 Bestimmung der Betriebszustände des Laufwerks

Anzeigen für Speicherdichte	Farbe	Zustand	Beschreibung
<b>(Vorderseite links)</b>			
2.6	Gelb	An	Band im 2.6 GB-Format gespeichert.
		Blinkt	Band in anderer Dichte gespeichert. Gewählte Dichte galt ab Bandanfang (BOT).
6.0	Gelb	An	Band im 6.0 GB-Format gespeichert.
		Blinkt	Band in anderer Dichte gespeichert. Gewählte Dichte gilt ab Bandanfang (BOT).
10.0/15.0	Gelb	An (Standard)	Band im 10.0/15.0 GB- Format gespeichert.
		Blinkt	Band in anderer Dichte gespeichert. Gewählte Dichte gilt ab Bandanfang (BOT).
20.0	Gelb	An (Standard)	Speicherung im 20.0 GB-Format. Speicherung bei anderer Dichte.
		Blinkt	Ausgewählte Dichte gilt ab Bandanfang (BOT)..
Komprimierung	Gelb	An	Komprimier-Modus eingeschaltet. (Komprimierung kann nur bei 10.0/20.0 GB-Speicherdichte stattfinden.)
		Aus	Komprimier-Modus ist ausgeschaltet.
Auswahl der Schreibdichte	Gelb	An	Dichte auf der Vorderseite vom Benutzer ausgewählt.
		An (Standard)	Dichte wird vom Host-Rechner (automatisch) gewählt.
		Blinkt	Sie wählen die Dichte aus.
Sämtliche vier Anzeigen rechts oder sämtliche vier Anzeigen links		Blinken	Fehler beim automatischen Funktionstest.

*Tabelle 3-2 Bestimmung der Betriebszustände des Laufwerks  
(Fortsetzung)*

### **3.6. Beschreibung der Tape-Cartridge**

Die DLTtape-III-Tape-Cartridge ist eine graue 4-Zoll-Plastik-Cartridge mit einem 335,28 Meter langen ½ Zoll-Metallpartikel-Magnetband (TANDBERG DATA P/N 43 18 96).

Die DLTtape-IIIxt-Tape-Cartridge eine weiße 4-Zoll-Plastik-Cartridge mit einem 548,64 Meter langen ½ Zoll-Metallpartikel-Magnetband (TANDBERG DATA P/N 43 18 76).

Die DLTtape-IV-Tape-Cartridge ist eine schwarze 4-Zoll-Plastik-Cartridge mit einem 548,64 Meter langen ½-Zoll-Metallpartikel-Magnetband (TANDBERG DATA P/N 43 18 77).

#### **3.6.1. Cartridge-Schreibschutz-Schieber**

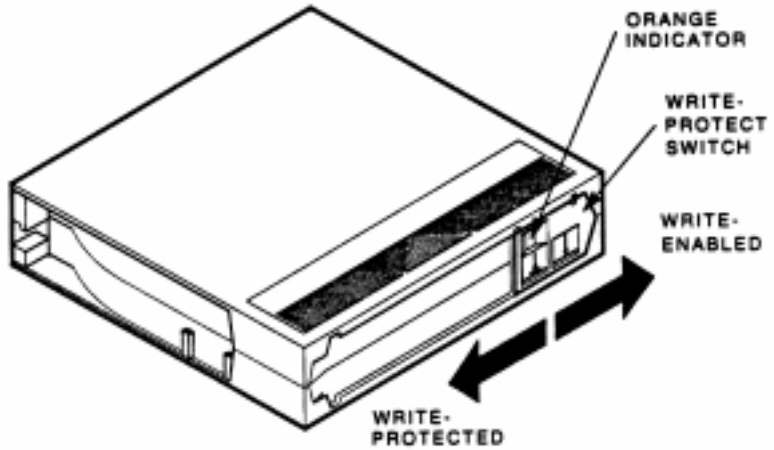
Die Tape-Cartridge hat einen Schreibschutz-Schieber zum Schutz vor dem zufälligen Löschen von Daten. Bevor Sie die Tape-Cartridge in das Laufwerk einlegen, stellen Sie den Schreibschutz-Schieber an der Vorderseite der Cartridge richtig ein. (Bild 3-7).

- Linke Position: die Cartridge ist schreibgeschützt
- Rechte Position, die Cartridge kann beschrieben werden.

Befindet sich der Schieber in der linken Position, ist ein kleines oranges Rechteck sichtbar, d.h. das Band kann nicht beschrieben werden. Der Pfeil (unter dem orangen Rechteck und über den beiden Linien am Schreibschutz-Schieber) zeigt, dass keine Daten auf das Band geschrieben werden können.

Auf der rechten Seite des Schreibschutz-Schiebers zeigt ein Pfeil über einer Linie an, daß das Band beschrieben werden kann, wenn sich der Schieber auf der rechten Seite befindet.

Bild 3-7 zeigt den Schreibschutz-Schieber auf der Tape-Cartridge.



*Bild 3-7 Tape-Cartridge*

### **3.6.2. Schutz der Daten**

Sobald Sie den Schreibschutz-Schieber der Cartridge nach links schieben, aktiviert das Laufwerk den Schreibschutz LED. Wenn das Laufwerk das Band gerade beschreibt, wird der Schreibschutz erst wirksam, wenn die Schreibfunktion beendet ist.

Tabelle 3-3 beschreibt, was mit dem Schutz der Daten geschieht, wenn Sie den Schreibschutz-Schieber vor Einlegen der Cartridge bewegen.

<b>Wenn Sie den Schreibschutz-Schieber ...</b>	<b>Dann ...</b>
nach links bewegen, ist das Band schreibgeschützt; wie die orange Anzeige zeigt	kann das Band nicht beschrieben werden.
nach rechts bewegen, ist das Band nicht schreibgeschützt.	können Sie das Band beschreiben (sofern es nicht Software-schreibgeschützt ist).

*Tabelle 3-3 Vor Einlegen der Cartridge*

Tabelle 3-4 beschreibt, was mit dem Schutz der Daten geschieht, wenn Sie während des Betriebs den Schreibschutz-Schieber betätigen.

<b>Wenn Sie den Schreibschutz-Schieber ...</b>	<b>dann ...</b>
von der "Schreibschutz an"- Position in die Schreibposition bewegen...	kann das Band nach einer gewissen Zeit (einigen Sekunden) beschrieben werden.
von der Schreibposition in die "Schreibschutz an"- Position bewegen....	ist das Band nach einer gewissen Zeit (einigen Sekunden) schreibgeschützt .

*Tabelle 3-4 Nach Einlegen der Cartridge und während des Betriebes*

### 3.7. Einlegen einer Cartridge

Im folgenden sind die einzelnen Schritte des Einlegens einer Cartridge genauer beschrieben (Bild 3-8):

1. Wenn die grüne Anzeige "Bedienungsklappe frei" konstant leuchtet, dann öffnen Sie die Bedienungsklappe.

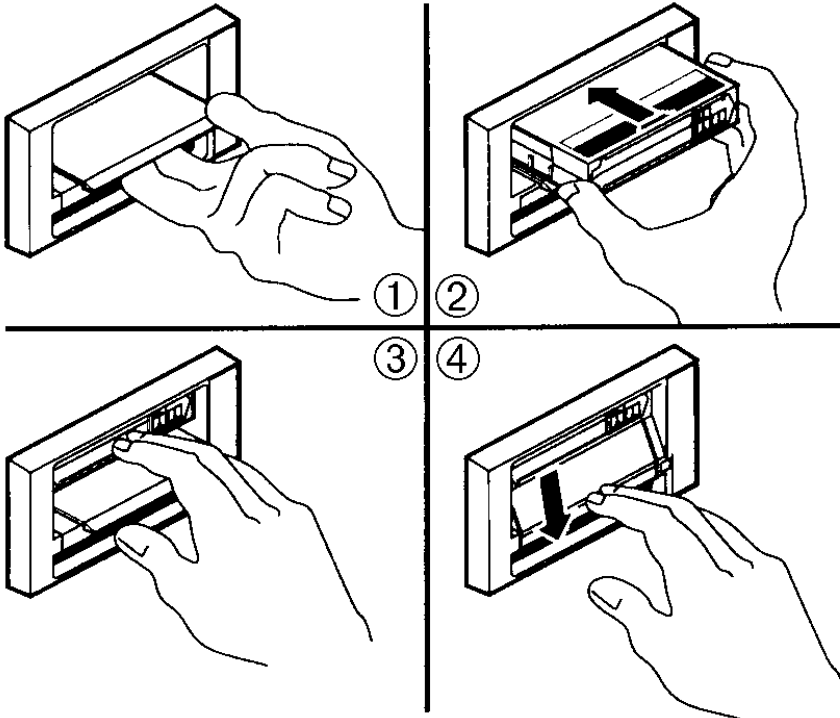
Hinweis:  
Wenn die Anzeige "Bedienungsklappe frei" blinkt, schließen Sie die Klappe und warten, bis die grüne Anzeige konstant leuchtet. Dann öffnen Sie die Klappe und legen die Tape-Cartridge ein.

2. Legen Sie die Cartridge ein.
3. Schieben Sie die Cartridge in das Laufwerk.
4. Schließen Sie die Bedienungsklappe.

Hinweis:  
Um eine Beschädigung der Bedienungsklappe zu vermeiden, helfen Sie der Klappe in die geschlossene Position. Klappe dabei nicht herunterfallen lassen.

Die grüne Anzeige erlischt, und die gelbe Anzeige blinkt, d.h. das Band wird positioniert. Wenn das Band bis zum Anfang zurückgespult ist (BOT), leuchtet die gelbe Anzeige konstant. Das Band ist jetzt speicherbereit.

Bild 3-8 zeigt, wie man eine Cartridge in das Laufwerk einlegt.



*Bild 3-8 Einlegen der Cartridge*



### 3.7.1. Band läuft

Immer wenn die gelbe Anzeige "Band läuft" konstant leuchtet, ist das Band speicherbereit. Während das Laufwerk kalibriert, liest, schreibt oder das Band zurückspult, blinkt die Anzeige "Band läuft".

Tabelle 3-5 zeigt die Vorgänge an, wenn die Cartridge in Betrieb ist.

Anzeige	Beschreibung des Vorgangs
Die gelbe Anzeige leuchtet konstant.	Eine Cartridge befindet sich im Laufwerk, aber das Band bewegt sich nicht. Dies kann bedeuten, dass keine Anwendung mit dem Controller kommuniziert oder daß die Anwendung zwar kommuniziert, aber dem Band nicht den Befehl gibt, sich zu bewegen,
Die gelbe Anzeige blinkt unregelmäßig.	Eine Schreib- oder Lese-Kalibrierung findet statt.
Die gelbe Anzeige blinkt regelmäßig.	Das Band verläßt die Cartridge, läuft in die Cartridge zurück oder wird zurückgespult.
Die grüne Anzeige leuchtet auf, und das akustische Signal ertönt.	Das Band ist wieder in der Cartridge, und die Cartridge kann jetzt entnommen werden. Bei leerem Laufwerk, kann jetzt eine Cartridge eingelegt werden..
Sämtliche vier Anzeigen blinken.	Ein Fehler ist aufgetreten. (Vgl. Tabelle 2-4, Tandberg DLT4000 Problemlösungs-Tabelle).

*Tabelle 3-5 Cartridge in Betrieb  
(Anzeigen auf der rechten Seite)*

### 3.8. Anwendung der Reinigungs-Cartridge (TANDBERG DATA Cleaning Cartridge P/N 43 18 78)

Entscheiden Sie mit Hilfe von Tabelle 3-6, wann Sie die Reinigungs-Cartridge benutzen :

Betriebsanzeige	Zustand	Beschreibung
1. "Reinigungs-Cartridge einlegen" (Bild 3-6)	Der Laufwerkkopf muß gereinigt werden, oder die Bandqualität ist schlecht. (S. Pkt. 3).	Verwenden der Reinigungs-Cartridge. Befolgen Sie genau die Hinweise in Abschnitt 3.7. Nach beendeter Reinigung erlischt die Anzeige "Reinigungs-Cartridge einlegen" und das akustische Signal ertönt als Zeichen dafür, dass die Reinigungs-Cartridge aus dem Laufwerk entnommen werden kann.
2. Eine Daten-Cartridge verursacht das Blinken der Anzeige "Reinigungs-Cartridge einlegen".	Die Data-Cartridge kann beschädigt sein.	Machen sie ein Backup dieser Daten auf einer anderen Cartridge. Entsorgen Sie die alte, evtl. beschädigte Cartridge, sie könnte unnötige Reinigungsvorgänge verursachen.
3. Die Anzeige "Reinigungs-Cartridge einlegen" leuchtet noch nach Reinigung des Laufwerkkopfes.	Ihre Data-Cartridge kann die Ursache des Problems sein.	Versuchen Sie es mit einer anderen Data-Cartridge.
4. Die Anzeige "Reinigungs-Cartridge einlegen" leuchtet noch, nachdem die Reinigungs-Cartridge eingelegt ist.	Keine Reinigung erfolgt. Reinigungsband aufgebraucht.	Neue Reinigungs-Cartridge benutzen.

*Tabelle 3-6 Wann ist die Reinigungs-Cartridge zu benutzen?*

Hinweis:  
Eine Reinigungs-Cartridge hält für etwa 20 Anwendungen.

### 3.9. Entnahme der Cartridge

**ACHTUNG!**

Bevor Sie das Host-System ausschalten, nehmen Sie erst die Cartridge aus dem Laufwerk. Andernfalls können Cartridge und Laufwerk beschädigt werden. Legen Sie die Cartridge nach dem Herausnehmen wieder in die Kunststoffhülle, dies verlängert ihre Lebensdauer.

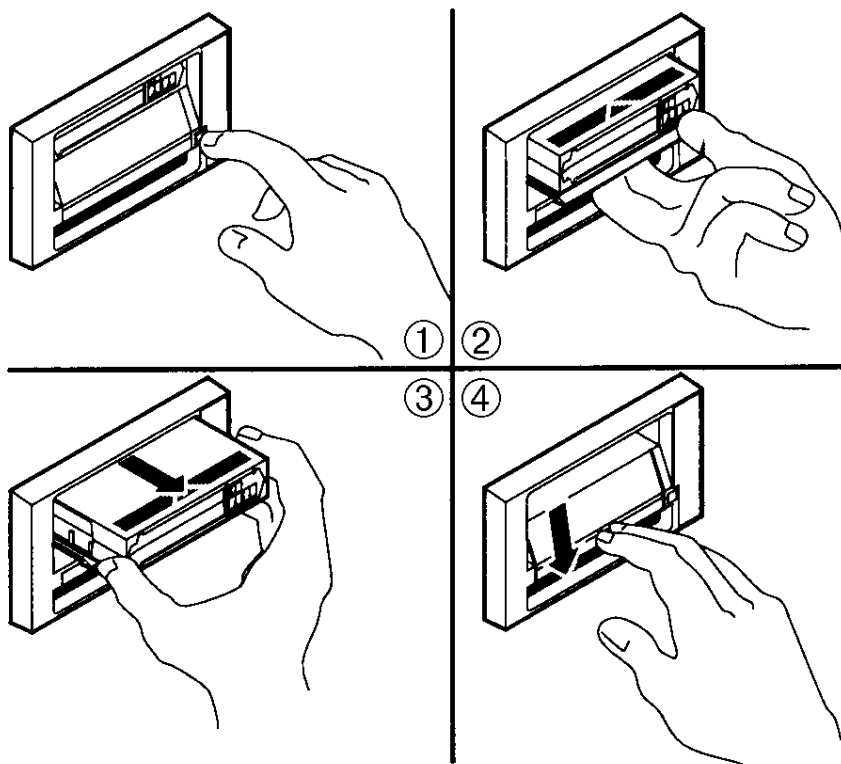
Zum Entnehmen der Cartridge aus dem Laufwerk (Bild 3-9):

1. Drücken Sie die Entnahmetaste (oder geben Sie den entsprechenden Software-Befehl ein). Die gelbe Anzeige "Band läuft" blinkt, wenn das Band zurückgespult wird.
2. Wenn die grüne Anzeige aufleuchtet und gleichzeitig ein akustisches Signal ertönt, öffnen Sie die Bedienungsklappe zum Auswerfen der Cartridge.

**ACHTUNG!**

Eine sofortige Entnahme der Tape-Cartridge kann eine Beschädigung der Bandführung zur Folge haben. Um dies zu vermeiden, warten Sie ein bis zwei Sekunden.

3. Entnehmen Sie die Cartridge.
4. Schließen Sie die Bedienungsklappe.



*Bild 3-9 Entnahme der Cartridge*

### 3.10. Aufbewahrung der Cartridges

Um die Lebensdauer Ihrer bespielten und unbespielten Cartridges zu verlängern, lagern Sie die Cartridges in einer sauberen Umgebung unter den folgenden Bedingungen:

- Lassen Sie die Cartridge nicht fallen oder behandeln diese unvorsichtig. Dadurch könnte die Bandführung verrutschen - die Cartridge wird unbrauchbar, und das Laufwerk könnte beschädigt werden.
- Die Cartridge vor direktem Sonnenlicht, Heizungen und vor anderen Wärmequellen schützen.
- Lagern Sie die Tape-Cartridges bei Temperaturen zwischen 10°C und 40°C (50°F to 104°F). Ist eine besonders lange Lebensdauer erwünscht, bewahren Sie die Cartridge stets in ihrer Kunststoffhülle und bei Zimmertemperaturen von 22°C ±4°C (72°F ±7°F) auf.
- War die Tape-Cartridge extremer Hitze oder Kälte ausgesetzt, stabilisieren Sie die Cartridge bis zu 24 Stunden genau so viele Stunden, wie sie den extremen Bedingungen ausgesetzt war, bei Zimmertemperatur.
- Legen Sie die Cartridge nie in die Nähe von elektromagnetischen Störquellen, wie z.B. Terminals, Motoren und Videogeräten oder Röntgengeräten. Dadurch könnten Daten auf dem Band geändert werden.
- Lagern Sie die Tape-Cartridge in einer staubfreien Umgebung, in der die relative Luftfeuchtigkeit zwischen 20% und 80% liegt. Ist eine besonders lange Lebensdauer erwünscht, empfiehlt sich eine Lagerung bei 40% ± 20% relativer Luftfeuchtigkeit.
- Bringen Sie das Etikett zur Identifizierung Ihrer Cartridge nur an dem dafür vorgesehenen Schlitz an.
- Bringen Sie keine Etiketten an anderer Stelle auf der Cartridge an.

### **3.11. Ablauf des Firmware-Updates**

Abschnitt 3.11. beschreibt den Vorgang des Firmware-Updates (Code) des Tandberg DLT4000-Subsystem-Controllers. Das Update wird von einer Cartridge ausgeführt, die das Firmware-Image lagert. Das Firmware-Update vom Host-Rechner wird auch unterstützt.

Firmware-Updates werden bei allen Versionen des Tandberg DLT4000-Laufwerks mit und ohne automatischem Wechselsystem (medialoader) unterstützt. Die Schritte zur Ausführung des Updates sind in beiden Fällen gleich, um das Firmware-Update alleine mit der

- Laufwerkskonfiguration auszuführen.

*vgl. Abschnitt 3.11.1. Firmware-Updates im Tandberg DLT4000-Laufwerk (Drive Only Configuration)*

<p><b>ACHTUNG!</b> Schalten Sie nie den Strom aus, während das Firmware-Update in Betrieb sein könnte. Dadurch könnte der Controller beschädigt werden.</p>
---

### **3.11.1. Firmware-Updates im Tandberg DLT4000-Laufwerk (Drive Only Configuration)**

1. Verschaffen Sie sich einen DLT-Tape III, DLT-Tape IIIxt, oder einen DLT-Tape IV mit der gewünschten Firmware.
2. Folgendermaßen stellen Sie das Tandberg DLT4000-Subsystem auf den Firmware-Update-Modus ein:
  - a. Entnehmen Sie dem Target Tandberg DLT4000-Laufwerk jede Cartridge und schließen Sie die Klappe (nach unten).
  - b. Drücken Sie die Entnahmetaste auf der Vorderseite des Laufwerks und halten Sie die Taste (etwa 6 Sekunden) bis die Anzeige für den Schreibschutz blinkt. Dies bedeutet, daß das Tandberg DLT4000-Subsystem Ihre Aufforderung für den Firmware-Update-Modus erkannt hat und die Beendigung des Vorgangs abwartet.

Falls die Schreibschutz-Anzeige nicht blinkt, überprüfen Sie, ob:

1. der POST abgelaufen ist,
  2. das Laufwerk leer ist,
  3. die Bedienungsklappe unten ist.
- c. Entnahmetaste loslassen und innerhalb von 4 Sekunden erneut drücken. Der zweite Tastendruck sollte weniger als eine Sekunde dauern.
  - d. Die Anzeigen "Band läuft" und "Schreibschutz" blinken und zeigen, daß das Tape-Subsystem den gewählten Firmware-Update-Modus erkennt.

- e. Wenn die Wahl des Firmware-Update-Modus nicht gelingt (z. B., wenn der zweite Tastendruck länger als eine Sekunde gedauert hat), sollte die Schreibschutz-Anzeige innerhalb weniger Sekunden aufhören zu blinken.

Versuchen Sie den gleichen Ablauf erneut.  
Wenn Laufwerk und Controller nicht einwandfrei kommunizieren, können Sie das Firmware-Update nicht wählen.

3. Sobald Sie den Firmware-Update-Modus gewählt haben, legen Sie eine Cartridge in das Laufwerk, das:

- a. vorübergehend die Anzeigen "Band läuft" und "Schreibschutz" erlöschen läßt.

**BEACHTEN SIE:**  
Kalibrierung und Directory-Bearbeitung veranlassen das Band, sich schon vor dem Lesen der Daten einige Minuten lang zu bewegen.

- b. automatisch die Cartridge liest,
- c. die Daten überprüft und
- d. verifiziert, daß die Daten ein gültiges DLT4000-Firmware-Image sind.

Der Firmware-Update-Modus ist an dieser Stelle automatisch gelöscht. Wenn das Firmware-Image gültig ist und:

- wenn der Laufwerk-Code aktualisiert ist, durchläuft der Laufwerk-Code kein Update,
  - wenn der Laufwerk-Code nicht aktualisiert ist, durchläuft der Laufwerk-Code ein Up-date, das 2 bis 3 Minuten dauert.
4. Während der Laufwerk-Code ein Update durchläuft, leuchten die Anzeigen für "Schreibschutz" und "Band läuft" abwechselnd.



5. Wenn die Aktualisierung des Laufwerk-Codes abgeschlossen ist, macht das Laufwerk einen Reset und führt einen automatischen Funktionstest (POST) durch. Der Ablauf beginnt, sobald das Band wieder am Anfang ist (BOT).
6. Wenn das Firmware-Image gültig ist, wird das Flash-EEPROM-Memory des Controllers automatisch mit dem neuen Firmware-Image aktualisiert. Die Anzeigen "Schreibschutz" und "Band läuft" leuchten während des Firmware-Updates des Controllers wieder auf.

#### **3.11.1.1. Interpretation der Ergebnisse (Tandberg DLT4000 Code Update)**

Die beiden folgenden Ergebnisse sind möglich:

- Die Firmware-Update-Cartridge ist zurückgespult. Dies bedeutet: das Update war erfolgreich.

Im DLT4000-Laufwerk befindet sich das Medium in der Cartridge, die Klappe ist offen, und die grüne Anzeige "Bedienungsklappe frei" leuchtet.

- Die Firmware-Update-Cartridge ist NICHT zurückgespult. Dies bedeutet: das Update war nicht erfolgreich.

Das Subsystem sollte dennoch benutzbar sein, jedoch abhängig davon, weshalb das Update mißlang. Dies könnte folgende Gründe haben:

1. Netzfehler
2. Schlechtes Image auf dem Band
3. Defektes Flash EEPROMs

Tabelle 3-7 unten stellt zusätzliche Einzelheiten dar: :

<b>Wenn...</b>	<b>Dann...</b>
das Image gültig ist.	<ol style="list-style-type: none"> <li>1. wird das Flash-EEPROM, das die jetzige Firmware enthält, gelöscht.</li> <li>2. wird das neue Image einprogrammiert. Das Subsystem vollendet das Update in etwa 2 Minuten. Dann: <ul style="list-style-type: none"> <li>• stellt das Laufwerk sich selbst zurück,</li> <li>• der automatische Funktionstest (POST) läuft ab,</li> <li>• das Laufwerk spult automatisch die Tape-Cartridge mit dem Firmware-Image zurück, und Sie können die Cartridge entnehmen. Die ist das Zeichen für ein erfolgreiches Firmware-Update.</li> </ul> </li> </ol>
<ol style="list-style-type: none"> <li>1. Das Band ist KEIN gültiges Firmware-Update-Band.</li> <li>2. Das Band enthält kein gültiges Image.</li> </ol>	Kein Update ist versucht worden. Die Anzeigen "Schreibschutz" und "Band läuft" blinken nicht. Das Laufwerk stellt sich zurück und das Band bleibt geladen, um anzuzeigen, daß das Firmware-Update erfolgreich war.
Das Band enthält ein gültiges Image, aber das neuprogrammierende Flash-Memory versagt aus irgendeinem Grund.	Der Controller ist wahrscheinlich unbrauchbar und muß ersetzt werden. Das Band-Laufwerk stellt sich selbst zurück und der POST läuft wieder ab, der allerdings bei ungültigem Image nicht erfolgreich abläuft.

*Tabelle 3-7 Ergebnisse des (Tandberg DLT4000) Code-Update*

# TANDBERG DLT4000



## SYSTEME DE SAUVEGARDE Manuel d'Installation

**TANDBERG DATA ASA**  
P.O. Box 134 Kjelsås  
N-0411 OSLO, NORWAY  
Phone + 47 22 18 90 90  
Telefax + 47 22 18 95 50

© Tandberg Data ASA

Module No. 43 18 84-2  
Publ. No. 9116-2  
Janvier 1999

**Publications disponibles auprès de notre  
département Marketing:**

<b>No.Publ.</b>	<b>No.Réf.</b>	<b>Titre</b>
9117	43 18 85	Tandberg DLT4000 Manuel de Référence
9118	43 18 86	Tandberg DLT4000 Interface SCSI - Spécifications Techniques

Il est possible que cette publication dévoile les principales caractéristiques de certains brevets délivrés ou sur le point de l'être. En publiant ces informations, Tandberg Data ASA n'accorde aucune licence ou autre autorisation.

Des efforts ont été faits pour éviter toute erreur dans les textes et schémas. Cependant, Tandberg Data Asa n'assume pas la responsabilité des erreurs pouvant apparaître dans cette publication.

Tandberg Data ASA s'efforce d'améliorer constamment ses produits, dès que les nouvelles techniques ou composants sont disponibles. Par conséquent, Tandberg Data Asa se réserve le droit de modifier ces spécifications à tout moment.

Tout commentaire de votre part, relatif à cette publication sera la bienvenue.

DLT, DLTtape, et le logo DLTtape sont des marques déposées de Quantum Corporation.

# Table des Matières

<b>1.</b>	<b>Vue d'ensemble et Spécifications du lecteur Tandberg DLT4000</b>	<b>1-1</b>
1.1.	Dans Ce Chapitre	1
1.2.	Vue d'ensemble du Produit	1
1.3.	Taux de Transfert Rapide des Données	2
1.4.	Haute Capacité et Compatibilité	2
1.5.	Compactage	3
1.6.	Longévité du Media	3
1.7.	Compatibilité	3
1.8.	Mise à Jour du Firmware	4
1.9.	Diagnostics Inclus	4
<b>2.</b>	<b>Installer et Configurer le Lecteur Tandberg DLT4000</b>	<b>2-1</b>
2.1.	Dans ce Chapitre	1
2.2.	Préparer l'Installation	1
2.2.1.	Avant de Démarrer	1
2.2.2.	Recommandations avant l'Installation	2
2.2.3.	Recommandations d'Emplacement	2
2.2.4.	Recommandations d'Environnement	2
2.3.	Installer le Lecteur	4
2.4.	Configurer le Lecteur Externe Tandberg DLT4000	5
2.4.1.	Conseils de Configuration	5
2.4.2.	Arrêt du Contrôle de Parité	6
2.4.3.	Changer le SCSI ID	6
2.5.	Connecter les Câbles	7
2.5.1.	Description de la Face Arrière du Tandberg DLT4000	7
2.5.2.	Connecter le Câble Signal SCSI	8
2.5.3.	Terminer le Bus SCSI	8
2.5.4.	Sélectionner le Cordon d'Alimentation AC Correct	9
2.5.5.	Connecter le Cordon d'Alimentation	10
2.6.	Tester l'Installation	11
2.6.1.	Lancer le POST	11

2.6.2.	Que Faire après le POST	12
2.7.	Tableau d'Aide en cas de Problème Technique Tandberg DLT4000	13
<b>3.</b>	<b>Configurer et Faire Fonctionner le Lecteur Tandberg DLT4000</b>	<b>3-1</b>
3.1.	Dans ce Chapitre	1
3.2.	Avant d'Installer le Lecteur Tandberg DLT4000	1
3.2.1.	Arrêt du Contrôle de Parité (Par Défaut = Disponible)	2
3.2.2.	Changer le SCSI ID	5
3.2.3.	Positionner le Cavalier TRM PWR (Single-ended Seulement) (Par Défaut = Indisponible)	5
3.2.4.	Localiser les Connecteurs du Câble SCSI et de l'Alimentation	6
3.3.	Vue d'Ensemble de la Face Avant	7
3.4.	Sélectionner la Densité	8
3.5.	Description des Commandes et des Voyants	11
3.5.1.	Beeper	11
3.5.2.	Bouton de Déchargement	11
3.5.3.	Poignée Insertion/Retrait de Cartouche	12
3.5.4.	Etats des Voyants pendant l'Auto-test de Démarrage et Actions	12
3.6.	Description de la cartouche	17
3.6.1.	Commutateur de Protection en Ecriture de la Cartouche	17
3.6.2.	Protection des Données	19
3.7.	Charger une Cartouche	20
3.7.1.	Avancement de la Bande	22
3.8.	Utiliser la Cartouche de Nettoyage (Tandberg Data P/N 43 18 78)	23
3.9.	Décharger une Cartouche	24
3.10.	Conserver les Cartouches	26

3.11.	<i>Procédure de Mise à Jour du Firmware</i>	27
3.11.1.	<i>Mise à Jour du Firmware sur le lecteur Tandberg DLT4000 (Par la Seule Configuration du Lecteur)</i>	28
3.11.1.1.	<i>Interpréter les Résultats (Mise à jour Code Tandberg DLT4000 )</i>	30

*Cette page a été laissée en blanc  
intentionnellement*



---

# 1.

## ***Vue d'Ensemble et Fonctionnalités du Lecteur Tandberg DLT4000***

### **1.1. Dans Ce chapitre**

Le Chapitre 1 contient les paragraphes importants et les sections suivants:

<b>Paragraphe</b>	<b>Section</b>
Vue d'Ensemble du Produit	1.2.
Taux rapide de Transfert de Données	1.3.
Haute-Capacité	1.4.
Compactage	1.5.
Robustesse du Média	1.6.
Compatibilité	1.7.
Mise à Jour du Firmware	1.8.
Diagnosics Inclus	1.9.

### **1.2. Vue d'Ensemble du Produit**

Le Sous-système à Cartouche Tandberg DLT4000 est un produit de haute-performance, de haute-Capacité, à cartouche numérique, conçu pour une utilisation sur les systèmes de moyenne gamme et de pointe. Utilisant la compression de données et le compactage, le lecteur Tandberg DLT4000 propose une capacité formatée de 40Go et un taux soutenu de transfert des données de 3.0Mo/s.

Le lecteur Tandberg DLT4000 est un lecteur de bande demi-pouce au format 5-1/4 pouce (profondeur 9-pouces). La conception inclut une tête double canal de lecture/écriture, une compression de données ultra-performante Lempel-Ziv (DLZ) , et un répertoire de repères sur le bande pour optimiser le transfert des données et diminuer le temps d'accès aux données.

Le lecteur Tandberg DLT4000 est disponible en kit ou en solution dotée d'un logiciel pour version interne ou externe, avec une interface single-ended ou différentiel 8-bit Wide SCSI-2 fast.

### **1.3. Taux de Transfert Rapide des Données**

Utilisé pour des sauvegardes ou des archivages inattendus, le sous-système Tandberg DLT 4000, lorsqu'il est utilisé en mode non-compressé, a un taux maximal de transfert des données de 1.5Mo/s (5.4Go/h). En mode compression de données, le taux maximal est de 3.0Mo/s (10.8Go/h) en écriture et jusqu'à 2.5Go/s (9.0Go/h) en lecture.

### **1.4. Haute-Capacité et Compatibilité**

Le lecteur Tandberg DLT4000 accepte la cartouche DLTtape™ IV. Quand celle-ci est utilisée, la capacité de données enregistrables sur la bande peut atteindre 20.0Go native, ou 40.0Go en compression de données. La capacité actuelle de données enregistrées dans ce mode de compression est dépendante du type de donnée. La compression peut être sélectionnée sur la face avant du lecteur ou par la carte en utilisant la commande Sélection de Mode SCSI (SCSI MODE SELECT).

Le lecteur Tandberg DLT4000 accepte aussi la cartouche DLTtape™ III. Quand celle-ci est utilisée, la capacité de données enregistrables sur la bande peut atteindre 10.0Go native, ou 20.0Go en compression de données. La capacité actuelle de données enregistrées dans ce mode de compression est dépendante du type de donnée. La compression peut être sélectionnée sur la face avant du lecteur ou par la carte en utilisant la commande Sélection de Mode SCSI (SCSI MODE SELECT).

Enfin, le lecteur Tandberg DLT4000 accepte aussi la cartouche DLTtape™ IIIxt. Quand celle-ci est utilisée, la capacité de données enregistrables sur la bande peut atteindre 15.0Go native, ou 30.0Go en compression de données. La capacité actuelle de données enregistrées dans ce mode de compression est dépendante du type de donnée. La compression peut être sélectionnée sur la face avant du lecteur ou par la carte en utilisant la commande Sélection de Mode SCSI (SCSI MODE SELECT).

## **1.5. Compactage**

La fonction Compactage du lecteur Tandberg DLT4000 vous aide à stocker efficacement vos données. Un cache lecture/écriture de 2.0Mo vous délivre un espace de travail pour le compactage, permettant une utilisation maximale de l'espace disponible sur la bande.

## **1.6. Longévité du Media**

La bande peut supporter 1 000 000 de passages et a une durée de vie de 10 ans, qui procure une durabilité du média et une fiabilité des données supérieures.

## **1.7. Compatibilité**

Tandberg Data s'engage à maintenir la compatibilité au sein de la famille de lecteur DLT™. Les produits à bande du sous-système Tandberg DLT4000 sont la troisième génération de produits, basée sur la technologie DLT.

Le sous-système Tandberg DLT4000 est conforme au standard ANSI pour SCSI-2. Le format de la bande se conforme à l'approbation ECMA et aux standards ANSI proposés.

Le sous-système Tandberg DLT4000 peut écrire sur des formats de bande 2.6, 6.0, 10.0 et 15.0 Go pour 100% de compatibilité avec les lecteurs antérieurs. A partir du début de la bande (BOT), le sous-système Tandberg DLT4000 reformate les cartouches enregistrées aux formats 2.6, 6.0, 10.0 ou 15.0 Go au nouveau format spécifié.

## **1.8. Mise à Jour du Firmware**

Le lecteur Tandberg DLT4000 inclut la technologie Flash EEPROM qui permet facilement sur site, l'installation de firmware de mises à jour à partir de la bande.

## **1.9. Diagnostics Inclus**

Le lecteur Tandberg DLT4000 contient un logiciel de diagnostic qui vous informe d'une éventuelle nécessité de nettoyage de tête, vous indique les résultats du diagnostic, et l'état de fonctionnement du lecteur. Le lecteur contient également un programme de reconnaissance d'erreurs pour une analyse de défaillance.

---

# 2.

## ***Installer et Configurer le Lecteur Tandberg DLT4000***

### **2.1. Dans ce Chapitre**

Le Chapitre 2 contient les paragraphes importants et les sections suivants:

<b>Paragraphe</b>	<b>Section</b>
Préparer l'Installation	2.2.
Installer le Lecteur Externe Tandberg DLT4000	2.3.
Configurer le Lecteur Externe Tandberg DLT4000	2.4.
Connecter les Câbles	2.5.
Tester l'Installation	2.6.
Tableau d'Aide en cas de Problèmes Techniques du DLT4000	2.7.

### **2.2. Préparer l'Installation**

Cette section décrit comment préparer l'installation de la lecteur externe Tandberg DLT4000. Elle contient:

<b>Paragraphe</b>	<b>Section</b>
Avant de démarrer	2.2.1.
Recommandations avant Installation	2.2.2.
Recommandations d'Emplacement	2.2.3.
Recommandations d'Environnement	2.2.4.

#### **2.2.1. Avant de démarrer**

Installer le lecteur externe du lecteur Tandberg DLT4000 ne nécessite pas d'outils particuliers. Si vous avez besoin de changer les pré-réglages de la face arrière, vous aurez besoin d'un crayon.

Si vous avez des problèmes durant l'installation, consultez le tableau 2-4 des Problèmes Techniques.

## **2.2.2. Recommandations avant Installation**

Les étapes à respecter avant installation sont:

<b>Etape</b>	<b>Action</b>
1	Vérifier la contenu de votre achat après déballage.
2	Choisir un emplacement pour votre boîtier externe Tandberg DLT4000.
3	Eteindre le système sur lequel le lecteur externe Tandberg DLT 4000 va être installé.

## **2.2.3. Recommandations d'Emplacement**

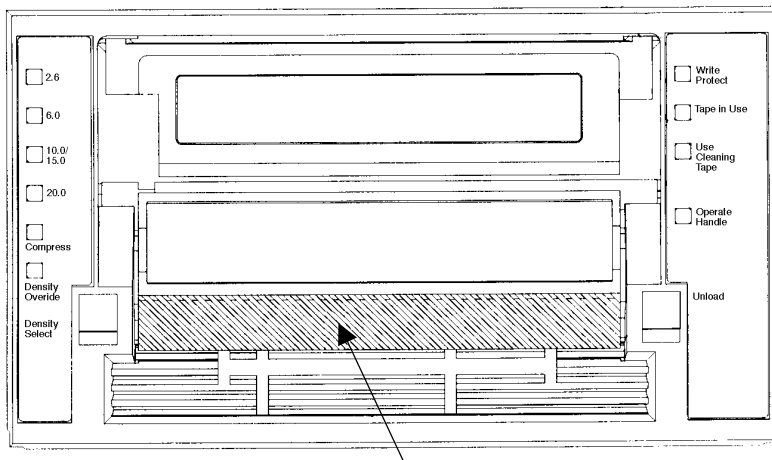
Placer le lecteur externe du lecteur Tandberg DLT4000 sur un une surface plane robuste et en hauteur, comme un bureau ou un dessus de table.

## **2.2.4. Recommandations d'Environnement**

Assurez-vous que l'environnement de votre lecteur externe Tandberg DLT4000 réponde bien aux critères suivants:

- Le lecteur externe Tandberg DLT4000 est conçu pour fonctionner dans des environnements exigeants. Quoiqu'il en soit, prenez toutes les précautions pour choisir l'emplacement de votre lecteur et installez-le dans un endroit sans poussière ni humidité.

Figure 2-1 Le lecteur Tandberg DLT4000 en version externe.



Poignée insertion / retrait de cartouche

Figure 2-1 Face avant du lecteur

#### **Voyants (Coté Gauche du Lecteur)**

Voyant de densité 2.6 (Jaune)  
 Voyant de densité 6.0 (Jaune)  
 Voyant de densité 10.0/15.0 (Jaune)  
 Voyant de densité 20.0 (Jaune)  
 Voyant de compression (Jaune)  
 Voyant de Paramétrage de densité (Jaune)

#### **Voyants (Coté Droit du Lecteur)**

Voyant de Protection en Ecriture (Orange)  
 Voyant d'Avancement de la Bande (Jaune)  
 Voyant d'Intervention de la Cartouche de Nettoyage (Jaune)  
 Voyant de Fonctionnement de la Poignée (Vert)  
 Bip (audible) non visible

#### **Boutons de Contrôles**

Bouton de Sélection de Densité  
 Bouton de Déchargement  
 Poignée Insertion/Retrait de Cartouche

Figure 2-2 montre l'emplacement des connecteurs.

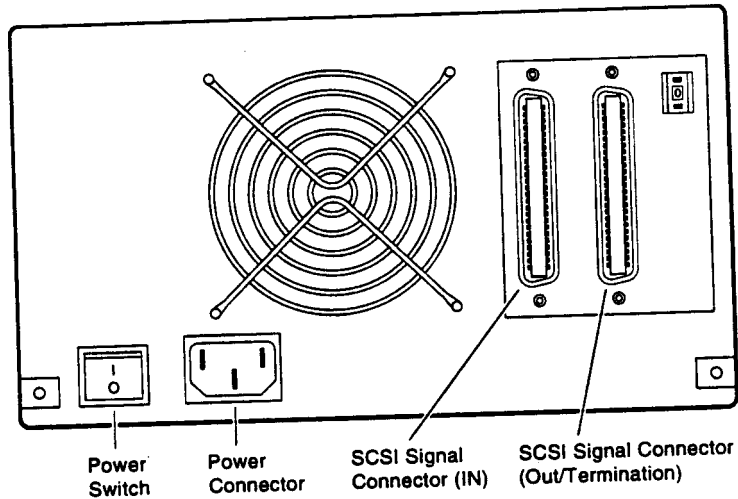


Figure 2-2 Face arrière Tandberg DLT4000

## 2.3. Installer le Lecteur

Pour installer le lecteur externe DLT4000:

Etape	Action						
1	Noter les recommandations d'usine du lecteur Tandberg DLT4000.						
2	Relire la Section 2.4.1.						
3	Configurer le lecteur externe Tandberg DLT4000 ou consultez votre système:						
	<table border="0"> <tr> <td><b>Si vous avez besoin de ...</b></td> <td><b>Lire section ...</b></td> </tr> <tr> <td>Arrêt du Contrôle de Parité</td> <td>2.4.2.</td> </tr> <tr> <td>Changer le SCSI ID</td> <td>2.4.3.</td> </tr> </table>	<b>Si vous avez besoin de ...</b>	<b>Lire section ...</b>	Arrêt du Contrôle de Parité	2.4.2.	Changer le SCSI ID	2.4.3.
<b>Si vous avez besoin de ...</b>	<b>Lire section ...</b>						
Arrêt du Contrôle de Parité	2.4.2.						
Changer le SCSI ID	2.4.3.						
4	Connecter les câbles.						



## 2.4. Configurer le Lecteur Externe Tandberg DLT4000

Cette section décrit comment configurer le lecteur externe Tandberg DLT4000. Elle inclut:

Paragraphe	Section
Conseils de Configuration	2.4.1.
Arrêt du Contrôle de Parité	2.4.2.
Changer le SCSI ID	2.4.3.

Sauf spécifications stipulées, le lecteur externe DLT4000 est conçu pour SCSI ID 4. Le lecteur est conçu pour la génération parité et le contrôle de parité est disponible.

### 2.4.1. Conseils de Configuration

Tous les systèmes utilisent le SCSI ID pour identifier ou adresser le lecteur externe Tandberg DLT 4000. Suivez ces conseils lorsque vous configurez le lecteur externe Tandberg DLT4000 pour l'utiliser dans votre système:

Si vous installez le Tandberg DLT4000 comme ...	Alors ...
Le seul périphérique SCSI sur le bus ou l'un des divers périphériques SCSI sur le bus	Assurez-vous d'utiliser un SCSI ID unique, différent de tout autre périphérique ou d'un ID système sur le bus SCSI.
Le dernier ou le seul périphérique sur le bus SCSI	Vous devez terminer le bus en installant une terminaison sur le lecteur.

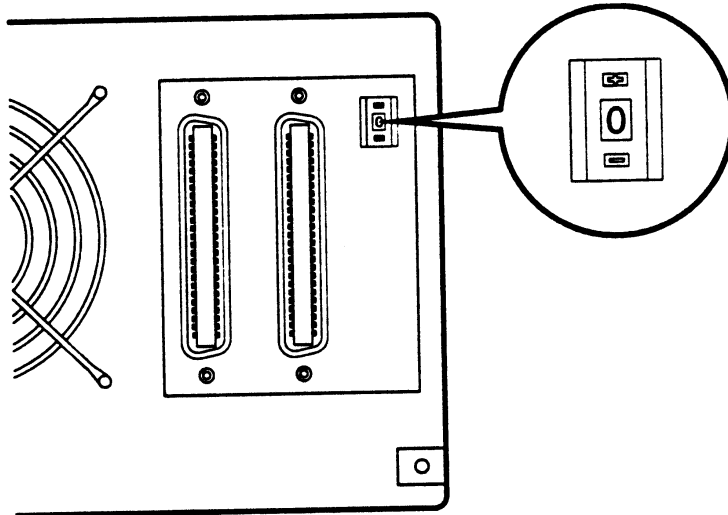
### 2.4.2. Arrêt du Contrôle de Parité

Pour arrêter la parité, consultez votre service habituel.

### 2.4.3. Changer le SCSI ID

Changez la SCSI ID via le bouton poussoir à l'arrière du lecteur. Appuyez sur ce ou ces boutons, de manière croissante ou décroissante (0-7) pour sélectionner le SCSI ID désiré; Bouton supérieur pour monter ou bouton inférieur pour descendre.

Figure 2-3 montre l'emplacement du bouton poussoir SCSI ID.



MLO-01287C

Figure 2-3 Changer le SCSI ID via le bouton poussoir

## 2.5. Connecter les Câbles

Section 2.5. contient les paragraphes suivants:

Paragraphe	Section
Description de la face arrière du Tandberg DLT4000	2.5.1.
Connecter Câble Signal SCSI	2.5.2.
Terminaison du Bus SCSI	2.5.3.
Sélectionner le cordon d'Alimentation AC correct	2.5.4.
Connecter du Cordon d'Alimentation	2.5.5.

### 2.5.1. Description de la Face Arrière du Tandberg DLT4000

Consultez la description des composants de la face arrière du Tandberg DLT4000 pour réaliser l'installation physique (Figure 2-4).

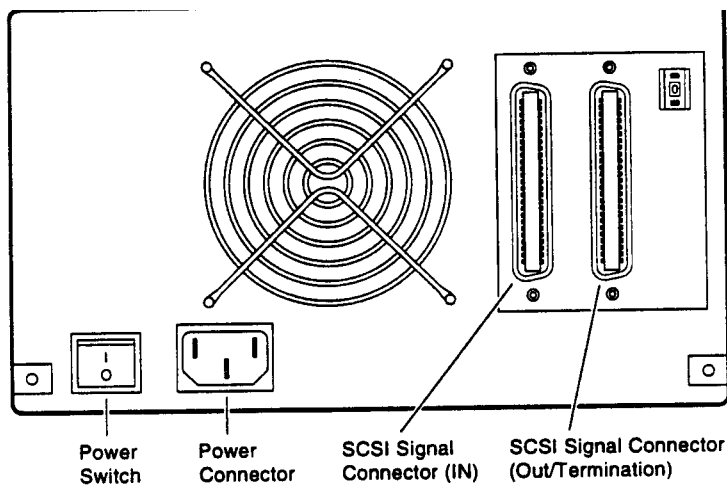


Figure 2-4 Composants face Arrière

### 2.5.2. Connecter le Câble Signal SCSI

Pour connecter le câble signal SCSI:

1. Connecter l'une des extrémités du câble signal SCSI au connecteur signal SCSI le plus à gauche. Sur la face arrière du Tandberg DLT 4000.
2. Faites jouer à fond le clapet du câble de tension pour bien bloquer le câble.
3. Connecter l'autre extrémité du câble signal SCSI sur le connecteur SCSI de votre système ou, pour une configuration en chaîne, sur un autre périphérique SCSI.

Voyez votre documentation système pour les connexions SCSI.

### 2.5.3. Terminer le Bus SCSI

NOTE:

Le bus SCSI doit être terminé à chaque extrémité et un périphérique doit au moins supporter la terminaison d'alimentation.

Table 2-1 vous dit quand et où ajouter une terminaison.

Si le Tandberg DLT4000 ...	Alors ...
Est le dernier ou le seul périphérique sur le bus et vous êtes en train de terminer les câbles extérieurement	<ol style="list-style-type: none"> <li>1. Connectez la terminaison SCSI à l'un des connecteurs signal SCSI en face arrière du Tandberg DLT4000.</li> <li>2. Faites jouer à fond le clapet du câble de tension ou vissez à fond (en fonction du choix) pour sécuriser la terminaison.</li> </ol>
N'est pas le dernier ou le seul périphérique sur le bus SCSI	Assurez-vous d'installer la terminaison à l'extrémité du bus.

Table 2-1 Ajouter une terminaison

### 2.5.4. Sélectionner le Bon Cordon d’Alimentation AC

**AVERTISSEMENT!**

**N’essayez pas de modifier ou d’utiliser un cordon d’alimentation externe 110-115 VAC pour une alimentation 220 – 240 VAC. Modifier le cordon d’alimentation peut nuire à votre santé physique et endommager votre équipement.**

Deux cordons d’alimentation AC sont fournis avec votre appareil. Choisissez avec précaution le bon, en fonction de votre région ou de votre pays, répertorié dans la liste ci-après. Si vous pensez qu’aucun des deux cordons fournis n’est le bon, contactez votre revendeur agréé Tandberg Data.

Le cordon d’alimentation AC utilisé avec cet équipement doit répondre aux critères suivants:

1. Raccordement certifié UL et CSA préconisé pour une utilisation à 250 VAC avec un courant estimé à 125% au moins du courant estimé pour le produit. En Europe, ce raccordement doit avoir l’inscription <HAR>.
2. Le raccord AC doit avoir une prise de terre mâle pour utilisation dans votre pays. Il doit aussi avoir les estampilles de certification d’un organisme agréé par le pays.
3. La prise du produit doit être de type femelle IEC type CEE-22.
4. Le cordon ne doit pas être plus long que 4.5 mètres (14.5 feet).

**NOTE:**

Le cordon d’alimentation doit être au minimum 18/3 AWG, 60°C, Type SJT ou SVT.

Figure 2-5 montre les différentes configurations de cordons d'alimentation AC pour 115V ou 220/240V.

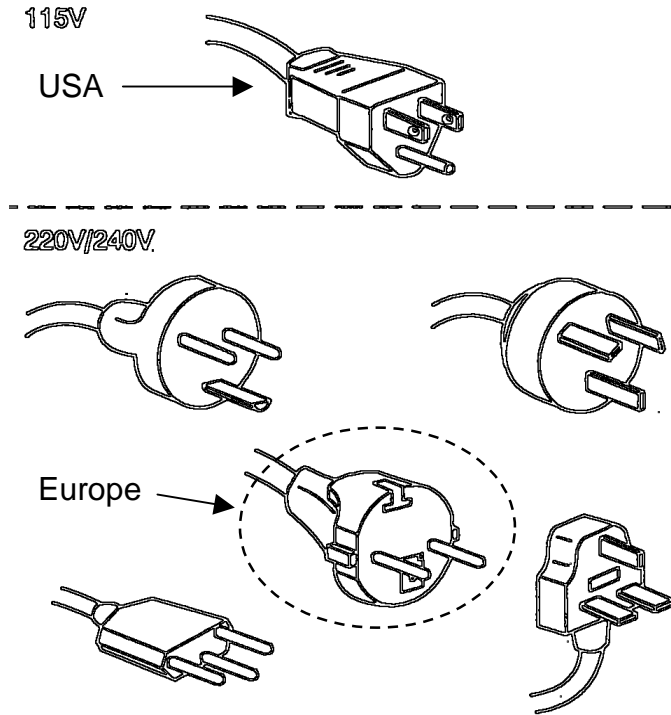


Figure 2-5 Cordons d'alimentation

### 2.5.5. Connecter le cordon d'alimentation

Pour connecter le cordon d'alimentation:

1. Assurez-vous que le commutateur d'alimentation du Tandberg DLT4000 est réglé sur 0 (OFF).
2. Raccordez le cordon d'alimentation à la prise du du Tandberg DLT4000. Assurez-vous que la prise est bien enfoncée.
3. Branchez l'autre extrémité du cordon à la prise secteur la plus proche.

## 2.6. Tester l'Installation

La section 2.6. contient les paragraphes suivants:

Paragraphe	Section
Lancer l'auto-test de démarrage (POST)	2.6.1.
Que faire après le POST	2.6.2.

### 2.6.1. Lancer le POST

Pour tester l'installation du lecteur externe Tandberg DLT4000 en lançant le POST:

1. Mettre le système sous tension.
2. Mettre le commutateur d'alimentation en face arrière du Tandberg DLT4000 en position on. Le POST se lance automatiquement.
3. Observer les voyants en face avant du Tandberg DLT4000. S'assurer que la séquence de fonctionnement des voyants est identique à celle décrite dans le tableau 2.2. Le travail des voyants de gauche et de droite survient simultanément.

Événement	Action
1	Les voyants sur le côté droit de la face avant s'allument séquentiellement de haut en bas. Tous les voyants restent allumés pendant quelques secondes.
2	Tous les voyants du côté gauche de la face avant s'allument simultanément pendant environ 3 secondes et s'éteignent.
3	Le voyant vert de Fonctionnement de la Poignée, le voyant orange d'e Protection en Ecriture et le voyant jaune de Cartouche de Nettoyage s'éteignent. Le voyant jaune d'Avancement de la Bande clignote pendant que le lecteur s'initialise.
4	Après initialisation, si aucune cartouche n'est chargée, le voyant jaune d'Avancement de la Bande s'éteint, le voyant vert de Fonctionnement de la Poignée s'allume, la poignée se libère et le beeper sonne.

Table 2-2 POST

Pour plus d'information sur ce qui se passe après initialisation lorsqu'une cartouche est engagée, mais la poignée est abaissée; ou une cartouche est engagée mais la poignée est relevée (déconseillé), voyez la section 3.5.4 au chapitre 3.

Le POST est complètement réalisé en à peu près 13 secondes et le lecteur répond normalement à toutes les commandes. Cependant, cela peut prendre plus de temps au média pour être prêt. Après une remise à zéro du Bus, le lecteur répond dans les limites de temps d'une sélection du bus.

## 2.6.2. Que Faire après le POST

Si ...	Alors ...
Tous les événements décrits dans le Tableau 2.2 se sont déroulés	Le POST a réussi. Revenir au système et lancer les tests optionnels du système. Voir le Chapitre 3 pour faire fonctionner le lecteur et sélectionner la densité.
Tous les voyants de gauche ou de droite sur la face avant du TandbergDLT4000 clignotent seulement.	Le POST a échoué. Voir le Tableau 2-4.

*Table 2-3 Après le POST*



## 2.7. Tableau d'Aide du Tandberg DLT4000 en cas de Problèmes Techniques

Si le lecteur externe Tandberg DLT4000 se met en dysfonctionnement pendant le POST ou toute opération, utiliser le Tableau 2-4 pour déterminer la nature du problème et comment y remédier.

Si ...	Alors ...	Vous devez ...
Votre système ne reconnaît pas le lecteur externe Tandberg DLT4000	Votre système ne doit pas être configuré pour reconnaître le SCSI ID	Configurer votre système pour reconnaître l'ID.
	Le SCSI ID peut ne pas être unique	Changer le SCSI ID et reconfigurer le système. Le nouvel ID est validé par un redémarrage.
	Les paramètres de votre adaptateur SCSI peuvent être incorrects	Contrôler votre installation de l'adaptateur SCSI.
	Le câble Signal SCSI peut être perdu	Vous assurer que le cordon est parfaitement raccorder aux deux extrémités.
	La terminaison SCSI peut être mal engagée ou perdue	Installer la terminaison en vous assurant qu'elle est parfaitement raccordée.
	Le bus SCSI n'est peut-être pas correctement terminé	Si le lecteur externe Tandberg DLT4000 est le dernier ou le seul périphérique sur le bus, vous assurer que la terminaison est installée sur le lecteur externe Tandberg DLT4000. Si le lecteur externe Tandberg DLT4000 n'est pas le dernier ou le seul périphérique sur le bus, contrôler les connexions du câble et vous assurer que la terminaison est installée à la fin du bus.
	La terminaison SCSI peut ne pas être à la fin du bus, ou plus de deux terminaisons sont engagées	Vous assurer qu'une terminaison est installée à chaque extrémité du bus. Une terminaison est correctement installée sur le système.

*Table 2-4 Tableau d'Aide du Tandberg DLT4000 en Cas de Problème Technique*

<b>Si ...</b>	<b>Alors ...</b>	<b>Vous devez ...</b>
Votre système ne reconnaît pas le lecteur externe Tandberg DLT4000	<ol style="list-style-type: none"> <li>1. Le bus SCSI peut être trop long.</li> <li>2. Trop de périphériques peuvent être sur le bus.</li> </ol>	<ol style="list-style-type: none"> <li>1. Limiter la longueur du bus pour les standards ANSI à 6 mètres (19 pieds) pour une interface single ended (SE) ou 25 mètres (82 pieds) pour un différentiel.</li> <li>2. Limiter le nombre des périphériques sur le bus (incluant le système) à huit. Contrôler les paramètres de configuration de votre système.</li> </ol>
Le lecteur externe Tandberg DLT4000 ne s'allume pas	Le lecteur externe Tandberg DLT4000 n'est pas alimenté	Contrôler les connexions du cordon d'alimentation en positionnant le commutateur sur off.
Tous les voyants à gauche ou à droite de la face avant du Tandberg DLT4000 clignotent	Une erreur du lecteur a été détectée	Essayer de décharger la cartouche et réinitialiser le lecteur en appuyant sur le bouton de déchargement ou en éteignant l'alimentation et en la rallumant. Les voyants de droite ou de gauche s'arrêtent de clignoter et le lecteur essaye de réinitialiser. Les voyants s'allument fixement encore et s'éteignent si le test a réussi.
Vous rencontrez des problèmes réhibitoires ou non dont vous ne comprenez pas les causes	La terminaison du bus ou les connexions du câble Signal SCSI doivent être incorrectes	S'assurer que la terminaison du bus SCSI est correcte.
	La prise de secteur utilisée est incorrecte	Utiliser pour l'alimentation de votre Tandberg DLT4000, un cordon identique à celui qui alimente votre système.

*Table 2-4 Tableau d'Aide du Tandberg DLT4000 en Cas de Problème Technique (suite)*

Après avoir essayé les solutions du Tableau 2-4, rallumer le lecteur externe Tandberg DLT4000 pour relancer le POST. Si tous les voyants de droite ou de gauche clignotent encore, vous devez avoir un problème hardware.

*Cette page a été laissée en blanc  
intentionnellement*

---

# 3.

## ***Configurer et Faire Fonctionner le Lecteur Tandberg DLT4000***

### **3.1. Dans ce Chapitre**

La section configuration de ce chapitre s'applique à un lecteur de base sans boîtier externe. (Le Chapitre 2 s'applique à la configuration d'une version externe). Le Chapitre 3 contient ces paragraphes et sections:

<b>Paragraphe</b>	<b>Section</b>
Avant d'installer le Lecteur Tandberg DLT4000	3.2.
Sélectionner la densité	3.3.
Vue d'Ensemble de la Face Avant	3.4.
Description des commandes et des voyants	3.5.
Description de la Cartouche	3.6.
Charger une Cartouche	3.7.
Utiliser la Cartouche de Nettoyage	3.8.
Décharger une Cartouche	3.9.
Conserver les Cartouches	3.10.
Procédure de Mise à Jour	3.11.

### **3.2. Avant d'Installer le Lecteur Tandberg DLT4000**

La section 3.2. contient:

<b>Paragraphe</b>	<b>Section</b>
Arrêt du Contrôle de Parité	3.2.1.
Changer le SCSI ID	3.2.2.
Positionner les cavaliers TRM PWR	3.2.3.
Localiser le Câble SCSI et les Connexions d'Alimentation	3.2.4.

### 3.2.1. Arrêt du Contrôle de Parité (Par Défaut = Disponible)

Si votre système ne génère pas la parité, vous pouvez arrêter le contrôle de parité en ajoutant un cavalier au connecteur SCSI sur la face gauche du lecteur Tandberg DLT4000 (Figure 3-1).

Pour arrêter la parité:

1. Consulter la Figure 3-1, Numéro ❶, pour localiser le connecteur SCSI ID sur le lecteur.

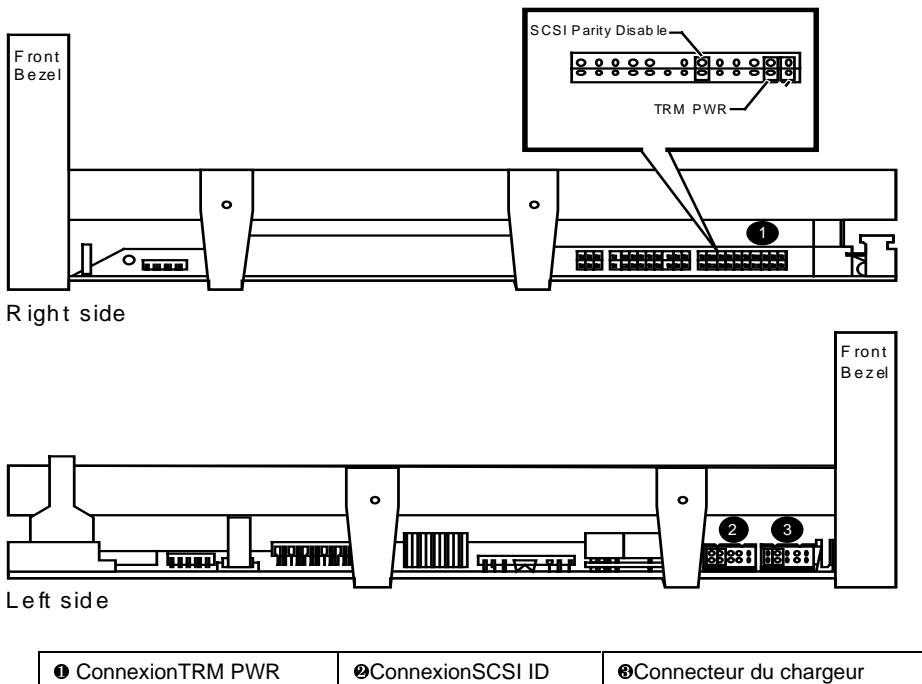
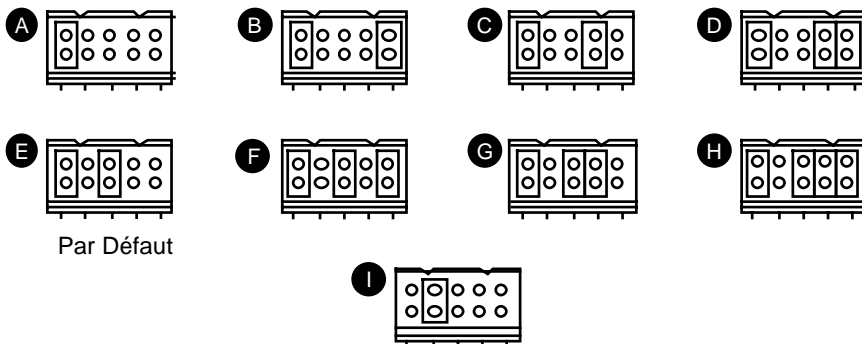


Figure 3-1 Connexions du Lecteur Tandberg DLT4000 Drive

2. Placer la cavalier en position d'arrêt de parité, comme indiqué en Lettre I, Figure 3-2.

8 - Bit



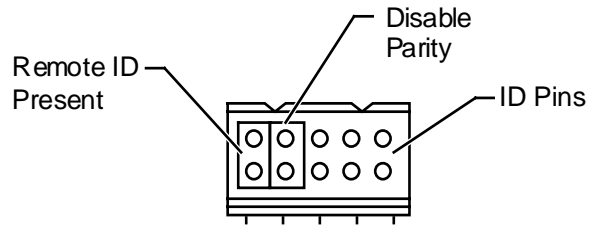
A. SCSI ID 0  
B. SCSI ID 1  
C. SCSI ID 2

D. SCSI ID 3  
E. SCSI ID 4 (Par défaut)  
F. SCSI ID 5

G. SCSI ID 6  
H. SCSI ID 7  
I. Arrêt du Contrôle de Parité.  
Le cavalier occupe cette position quel que soit le choix du SCSI ID.

Figure 3-2 Positions du Cavalier

Figure 3-3 montre ce que représentent les broches sur le connecteur SCSI ID .



*Figure 3-3 Broches du Connecteur SCSI ID*

**NOTE:**

Un cavalier doit toujours être placé dans la position Remote ID (Figure 3-3), pour permettre à la carte de reconnaître toute sélection ID sur ce connecteur.



### 3.2.2. Changer le SCSI ID

Le lecteur est vendu avec un SCSI ID 4, sauf autre spécification. Vous pouvez changer le SCSI ID en reconfigurant les cavaliers sur le connecteur SCSI du lecteur (Figure 3-1).

Pour changer le SCSI ID:

1. Consulter la Figure 3-1, numéro ❷, pour localiser le connecteur SCSI ID sur le lecteur.
2. Choisir un SCSI ID de 0 à 7.
3. Consulter la Figure 3-2, pour situer l'emplacement des cavaliers pour le ID que vous choisissez. Par exemple, si vous choisissez SCSI ID 1, placez le cavalier dans les mêmes positions que ceux de la Lettre B.

### 3.2.3. Positionner le Cavalier TRM PWR (Single-ended Seulement) (Par Défaut = Indisponible)

**NOTE:**

Le bus SCSI (Small Computer System Interface) doit être terminé à chaque extrémité du bus, et au moins un périphérique doit fournir la terminaison d'alimentation.

Vous pouvez configurer le lecteur Tandberg DLT4000 pour alimenter les terminaisons externes SCSI-2.

Pour fournir la terminaison d'alimentation au bus SCSI bus:

1. Utiliser la Figure 3-1, numéro ❶, pour localiser le connecteur TRM PWR sur le lecteur.
2. Placer la cavalier dans les positions indiquées en Figure 3-4, numéro ❷



Figure 3-4 Positions de Cavalier TRM PWR

- |  |   |
|--|---|
| <p>❶ Sans Alimentation des Terminaisons SCSI</p> | <p>❷ Alimentation des Terminaisons SCSI</p> |
|--|---|

### 3.2.4. Localiser les Connecteurs du Câble SCSI et de l’Alimentation

Pour installer le lecteur Tandberg DLT4000, notez

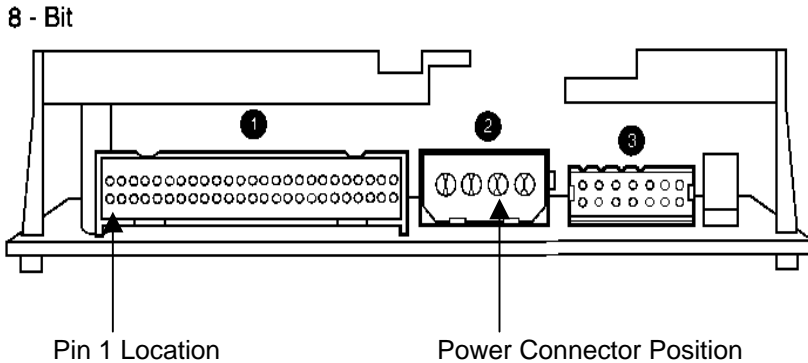


Figure 3-5 Connecteur Arrière Tandberg DLT4000

- |   |                                  |
|---|----------------------------------|
| <p>❶ Connecteur SCSI</p>  | <p>❷ Connecteur Alimentation</p> |
| <p>❸ Connecteur Alimentation (Connecteur Alimentation Personnalisé)</p> |                                  |

### 3.3. Vue d'Ensemble de la Face Avant

Le lecteur Tandberg DLT4000 propose les commandes et voyants suivants pour faire fonctionner le lecteur Figure 3-6).

Figure 3-6 montre les voyants et commandes du lecteur DLT4000:

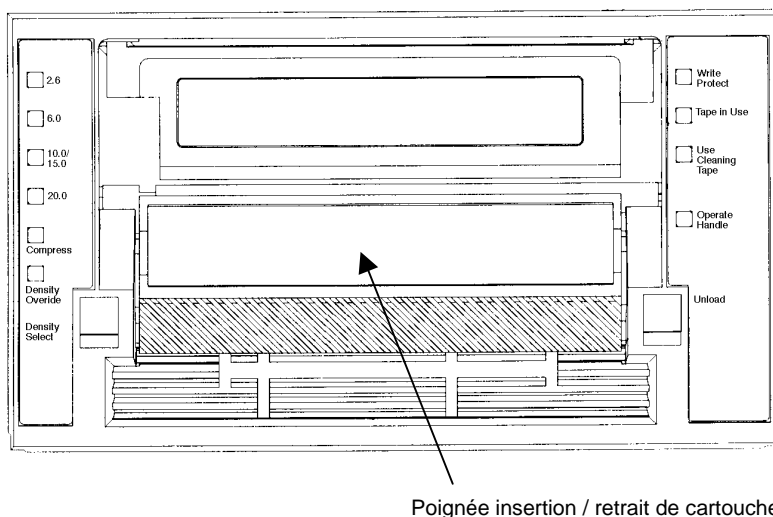


Figure 3-6 Voyants du Tandberg DLT4000

#### Voyants (Côté Gauche du Lecteur)

Voyant de Densité 2.6 (Jaune)  
 Voyant de Densité 6.0 (Jaune)  
 Voyant de Densité 10.0/15.0 (Jaune)  
 Voyant de Densité 20.0 (Jaune)  
  
 Voyant de Compression (Jaune)  
 Voyant de Paramétrage de Densité (Jaune)

#### Voyants (Côté Droit du Lecteur)

Voyant d'écriture Protégée (Orange)  
 Voyant d'Avancement de la Bande (Jaune)  
 Voyant de Cartouche de Nettoyage (Jaune)  
 Voyant de Fonctionnement de Poignée (Green)  
 Beeper (audible) non visible

#### Commandes

Bouton de Sélection de Densité                      Bouton de Déchargement  
 Poignée Insertion/Retrait de Cartouche

### 3.4. Sélectionner la Densité

La section 3.4. décrit les spécifications de sélection de la densité.

**ATTENTION !**

Si une bande pré-enregistrée est utilisée et écrite à partir du début de la bande (BOT), toutes les données pré-enregistrées sont perdues. Ceci inclut les changements de densités, lorsqu'ils se produisent uniquement dans la phase d'enregistrement depuis le BOT.

**Les Différents Façons de Sélectionner la Densité**

En utilisant une DLTtape IV la densité est par défaut de 20.0 Go natif. La seule sélection est d'utiliser ou non le mode compression.

En utilisant une DLTtape III la densité est par défaut de 10.0 Go natif. La seule sélection pour cette cartouche est 2.6, 6.0, 10.0 Go en mode compression désactivé ou 20.0 Go en mode compression.

En utilisant une DLTtape IIIxt la densité est par défaut de 15.0 Go natif ou 30.0 Go en compression.

En utilisant une DLTtape IV l'utilisateur peut sélectionner la densité par chacune des opérations suivantes:

1. Pour toutes les opérations de lecture et pour toutes les opérations d'écriture rattachées, la densité enregistrée est la densité à utiliser.
2. Pour une écriture à partir du BOT, la densité de la bande peut être changer en:
  - Utilisant le bouton de Sélection de Densité. Ceci permet toujours de re-paramétrer la sélection effectuée par la carte d'interface.
  - Effectuant une sélection programmée de la carte d'interface via votre système opérateur. ( Le voyant de Paramétrage de Densité est éteint, indiquant une sélection automatique ou par la carte de la densité).
  - Densité native de 20.0 GB et Compressé (en tenant compte que le bouton de Sélection de Densité ou la sélection par la carte d'interface, n'a pas été utilisé).

### **Comment Sélectionner la Densité**

Pour sélectionner la densité à partir du lecteur Tandberg DLT4000:

1. Charger la cartouche dans le lecteur. Le voyant d'Avancement de la Bande clignote pendant que la bande charge et se calibre.
2. Après calibration, le voyant d'Avancement de la Bande reste allumé.
3. Le voyant indique la densité de la bande pré-enregistrée, comme 2.6Go ou 6.0Go.
4. Vous pouvez utiliser le tableau de commande du lecteur à tout moment, pas seulement après le chargement de la cartouche. La sélection de densité est inactive jusqu'à ce que la commande d'écriture à partir du BOT soit donnée. Le contrôleur mémorise l'état de sélection de densité jusqu'à ce que vous fassiez l'une des choses suivantes:
  - Changer la sélection de densité
  - Décharger la cartouche

### **Exemple de Sélection de Densité**

Si vous avez chargé une bande à la densité pré-enregistrée de 2.6Go, et si vous utilisez le bouton de sélection de densité pour sélectionner la densité 10.0Go, les événements suivants peuvent arriver:

- Le voyant 2.6 reste allumé --- la densité n'a pas changé et le voyant fixe indique la densité d'enregistrement
- Le voyant 10.0/15.0 clignote—le changement de densité est en attente
- Le voyant de paramétrage de densité brille

Lorsqu'une écriture à partir du BOT survient, les événements suivants peuvent:

- Le voyant 2.6 s'éteint
- Le voyant 10.0/15.0 reste allumé fixement
- Le voyant de paramétrage de densité reste allumé

Table 3-1 shows the results of density selection.

<b>Si ...</b>	<b>Alors ...</b>
Si vous n'utilisez pas le bouton de sélection de densité	Les voyants montrent la densité actuelle lorsque la bande est lue ou écrite. Les voyants sont allumés fixement et celui du Paramétrage de Densité est éteint.
Vous utilisez le bouton de sélection de densité, et la densité de bande actuelle est la même que celle que vous avez sélectionnée.	La densité actuelle et le voyant de paramétrage de densité sont allumés. Par exemple, si la densité actuelle est de 10.0Go, alors le voyant proche de 10.0/15.0 s'allume.
Vous utilisez le bouton de sélection de densité, et la densité de bande actuelle diffère de celle que vous avez sélectionnée.	<ol style="list-style-type: none"> <li>1. Le voyant de l'actuelle densité est allumé fixement</li> <li>2. Le voyant de la densité sélectionnée clignote</li> <li>3. Le voyant de paramétrage de densité brille fixement. Par exemple, si la densité actuelle est de 10.0Go et si la densité sélectionnée est de 6.0Go, le voyant 10.0/15.0 brille fixement, le voyant 6.0Go clignote et le voyant de paramétrage de densité est allumé fixement.</li> </ol>

*Table 3-1 Résultats de Sélection de Densité*

Pour sélectionner la densité au travers du bus SCSI:

1. Faites un SCSI MODE SELECT avec la densité que vous voulez.
2. Écrivez les données sur la bande à partir du BOT.

## 3.5. Description des Commandes et des Voyants

La section 3.5. contient les parties suivantes:

Paragraphe	Section
Beeper	3.5.1.
Bouton de Déchargement	3.5.2.
Poignée Insertion/Retrait de Cartouche	3.5.3.
Etat du voyant pendant le POST et Actions	3.5.4.

### 3.5.1. *Beeper*

Un beeper sonne lorsque pouvez utiliser la poignée Insertion/Retrait de Cartouche. Lorsque vous l'entendez, le voyant vert de Fonctionnement de la Poignée doit être allumé.

### 3.5.2. *Bouton de Déchargement*

Comme son nom l'indique, ce bouton est principalement utilisé pour décharger la cartouche. Lorsque l'utilisateur appuie dessus, le lecteur Tandberg DLT4000 attend de terminer correctement une écriture active sur la bande pour démarrer le processus de déchargement.

Alors, le lecteur rembobine la bande dans la cartouche. La bande doit être complètement rembobinée dans la cartouche avant que vous ne puissiez retirer la cartouche du lecteur. Une opération de déchargement peut prendre 20 secondes jusqu'au BOT.

Si le lecteur est en état de dysfonctionnement (tous les voyants de droite clignotent sur la face avant), appuyez sur le bouton de Déchargement, remet à zéro le lecteur, et si cela est possible, décharge la cartouche.

### **3.5.3. Poignée Insertion/Retrait de Cartouche**

Utilisez la Poignée Insertion/Retrait de Cartouche pour charger ou éjecter une cartouche, uniquement lorsque le voyant de Fonctionnement de la Poignée est allumé, et après l'émission du beeper. La poignée se lève en position d'ouverture et s'abaisse en position de fermeture. Voir la Section 3.7. et la Section 3.9. pour les procédures d'utilisation.

### **3.5.4. Etats des Voyants pendant l'Auto-test de Démarrage et Actions**

Lorsque vous allumez votre système, le lecteur effectue le POST. La séquence des événements est la suivante:

<b>Etape</b>	<b>Ce qui se passe</b>
1	Les voyants du côté droit de la face avant s'allument séquentiellement de haut en bas. Tous les voyants restent allumés pendant quelques secondes.
2	Les voyants sur le côté gauche de la face avant s'allument en même temps pendant environ trois secondes et s'éteignent.
3	Le voyant vert de Fonctionnement de la Poignée, le voyant orange d'Ecriture Protégée, et le voyant jaune de Nettoyage de Cartouche s'allument. Le voyant d'Avancement de la Bande clignote pendant que le lecteur s'initialise.
4	Après initialisation, le lecteur est dans l'un de ces quatre états:



Etat du Lecteur	Affichages des Voyants et Actions
a. Aucune cartouche n'est engagée	<ol style="list-style-type: none"> <li>1. Le voyant jaune d'Avancement de la Bande s'éteint.</li> <li>2. Le voyant vert de Fonctionnement de la Poignée s'allume.</li> <li>3. La poignée est libérée.</li> <li>4. Le lecteur émet un beep bref.</li> </ol> <p>Vous pouvez maintenant soulever la poignée et insérer une cartouche.</p>
b. Une cartouche est engagée et la poignée est abaissée	<p>Le lecteur charge la cartouche. Lorsque le voyant d'Avancement de la Bande arrête de clignoter et reste allumé, la densité actuelle de la bande s'affiche. Par exemple, si la densité actuelle de la bande est de 2.6Go, alors le voyant proche de 2,6 Go s'allume. Lorsque le voyant de paramétrage de densité clignote, vous pouvez sélectionner une densité. Le lecteur est prêt à l'emploi. (Voir section 3.4.)</p>
c. Une cartouche est engagée, mais la poignée est relevée (déconseillé)	<p>Le voyant jaune d'Avancement de la Bande s'éteint. Le voyant vert de Fonctionnement de la Poignée clignote. Lorsque vous abaissez la poignée, la cartouche se charge.</p>
d. Le lecteur détecte une erreur	<p>Les voyants de droite ou de gauche clignotent de manière répétitive. Vous devez essayer de décharger la cartouche et ré-initialiser le lecteur en appuyant sur le bouton de Déchargement ou en éteignant le lecteur puis en le rallumant. Les voyants de droite ou de gauche s'arrêtent de clignoter et le lecteur essaye de ré-initialiser. Les voyants s'allument de nouveau fixement et s'éteignent si l'opération est réussie.</p>
e. Le lecteur est allumé avec la poignée ouverte	<p>Le voyant Fonctionnement de la Poignée clignote; fermez la poignée et attendez une indication fixe.</p>

Le POST est complètement réalisé en environ 15 secondes et le lecteur répond alors normalement à toutes les commandes. Cependant, cela peut prendre plus de temps au média pour être prêt. Après une remise à zéro du bus, le lecteur répond dans les limites de temps d'une sélection du bus. Utilisez ce tableau pour déterminer les conditions de fonctionnement du lecteur:

Identification	Couleur	Etat	Signification
<b>Voyant (Côté droit)</b>			
Protection en Ecriture	Orange	Allumé	La bande est protégée en écriture.
		Eteint	La bande est disponible en écriture.
Avancement de la Bande	Jaune	Clignotant	La bande avance.
		Allumé	La cartouche est chargée, prête à l'emploi.
Cartouche de Nettoyage	Jaune	Allumé	La tête a besoin d'un nettoyage ou la cartouche est en mauvais état (Section 3.8).
		Reste allumé après déchargement de la cartouche	La bande de nettoyage a essayé de nettoyer la tête, mais la bande est arrivée au bout; le nettoyage n'a pu être effectué.
		Après nettoyage, reste allumé lorsque vous rechargez la cartouche de données	Problème avec la cartouche. Essayez une autre cartouche.
		Eteint	Le nettoyage est effectué correctement, ou il n'est pas nécessaire.
Fonctionnement de la Poignée	Vert	Allumé	Prêt à l'utilisation de la Poignée Insertion/Retrait de Cartouche.
		Eteint	Vous ne pouvez utiliser la Poignée Insertion/Retrait de Cartouche.
		Clignotant	Fermez la poignée et attendez que le voyant vert s'allume fixement pour insérer une cartouche.
Les quatre voyants côté droit ou tous les voyants côté gauche	–	Allumés	POST démarre.
		Clignotants	Une erreur est survenue. Voir Tableau d'Aide en cas de problèmes techniques; Tableau 2-4,.

*Table 3-2 Déterminer l'Etat de Fonctionnement du Lecteur*

Identification	Couleur	Etat	Signification
<b>Voyant (Côté Gauche)</b>			
2.6	Jaune	Allumé	La bande est enregistrée au format 2.6 Go.
		Clignotant	La bande est enregistrée dans un autre format. Vous avez sélectionné cette densité pour une écriture à partir du BOT.
6.0	Jaune	Allumé	La bande est enregistrée au format 6.0 Go.
		Clignotant	La bande est enregistrée dans un autre format. Vous avez sélectionné cette densité pour une écriture à partir du BOT.
10.0/15.0	Jaune	Allumé (par défaut)	La bande est enregistrée au format 10.0/15.0Go.
		Clignotant	La bande est enregistrée dans un autre format. Vous avez sélectionné cette densité pour une écriture à partir du BOT.
20.0	Jaune	Allumé (par défaut)	La bande est enregistrée au format 20.0Go.
		Clignotant	La bande est enregistrée dans un autre format. Vous avez sélectionné cette densité pour une écriture à partir du BOT.
Compresser	Jaune	Allumé	Le mode compression est disponible. (La compression ne peut être réalisée qu'au format 10.0/20.0 GB.)
		Eteint	Le mode compression est indisponible.
Paramétrage de Densité	Jaune	Allumé	Vous avez sélectionné une densité à partir de la face avant.
		Eteint (par défaut)	La densité doit être sélectionnée par la carte (automatique).
		Clignotant	Vous êtes en mode Sélection de Densité.
Les quatre voyants côté droit ou tous les voyants côté gauche		Clignotant	Une erreur POST est survenue.

*Table 3-2 Déterminer l'Etat de Fonctionnement du Lecteur (suite)*

### **3.6. Description de la Cartouche**

La cartouche DLTtape III est au format 4-pouces, grise, en plastique, elle contient 1100 pieds ½ pouce de bande magnétique à particule métallique (Tandberg Data P/N 43 18 96).

La cartouche DLTtape IIIxt est au format 4-pouces, blanche, en plastique, elle contient 1800 pieds ½ pouce de bande magnétique à particule métallique (Tandberg Data P/N 43 18 76).

La cartouche DLTtape IV est au format 4-pouces, noire, en plastique, elle contient 1800 pieds ½ pouce de bande magnétique à particule métallique (Tandberg Data P/N 43 18 77).

#### **3.6.1. Commutateur de Protection en Ecriture de la Cartouche**

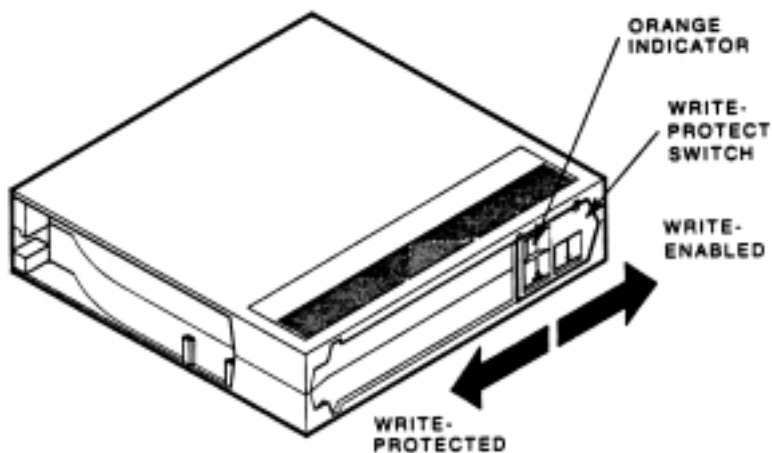
La cartouche a un commutateur de Protection en Ecriture pour prévenir les effacements accidentels de données. Avant de charger la cartouche dans le lecteur, positionner le commutateur de Protection en Ecriture sur la face avant de la cartouche (Figure 3-7).

- A gauche, la cartouche est protégée en écriture
- A droite, la cartouche est disponible en écriture

Lorsque vous glissez le commutateur vers la gauche, le petit rectangle orange est visible. Ceci signifie qu'aucune donnée ne peut être écrite sur la bande. La flèche (en dessous du rectangle orange, de deux lignes sur le commutateur de Protection en Ecriture ) indique qu'aucune donnée ne peut être écrite sur la bande.

Sur le côté droit du commutateur de Protection en Ecriture, une flèche d'une ligne indique que si vous glissez le commutateur vers la droite, les données peuvent être écrites sur la bande.

Figure 3-7 montre le commutateur de protection en écriture sur la cartouche.



*Figure 3-7 Cartouche*

### 3.6.2. Protection des Données

Lorsque le commutateur de Protection en Ecriture est glissé vers la gauche, le lecteur allume immédiatement le LED de Protection en Ecriture. Mais, si le lecteur écrit sur la bande, la protection en écriture ne prend pas effet avant que l'écriture ne soit achevée.

Le Tableau 3-3 décrit ce qu'il arrive à la protection de données lorsque vous touchez la commutateur avant la chargement de la cartouche.

<b>Si vous glissez le commutateur ...</b>	<b>Alors ...</b>
Vers la gauche; la bande est protégée en écriture; l'indicateur orange sur la cartouche est apparent	Vous ne pouvez écrire des données sur la bande..
Vers la droite; la bande est disponible en écriture	Vous pouvez écrire des données sur la bande (si elle n'est pas protégée en écriture par un logiciel).

*Table 3-3 Avant de charger la cartouche*

Le Tableau 3-4 décrit ce qui arrive à la protection des données lorsque vous touchez au commutateur pendant l'opération.

<b>Si vous glissez le commutateur ...</b>	<b>Alors ...</b>
De la position Protection en écriture à la position Disponible en écriture	La bande devient disponible en écriture après un temps variable (secondes).
De la position Disponible en écriture à la position Protection en écriture	La bande devient protégée en écriture après un temps variable (secondes).

*Tableau 3-4 Après Chargement de la Cartouche et Mise en Oeuvre*

### 3.7. Charger une Cartouche

Pour plus de détails lors du chargement d'une cartouche (Figure 3-8):

1. Lorsque le voyant vert de Fonctionnement de la Poignée est allumé fixement, soulevez, pour l'ouvrir, la Poignée Insertion/Retrait de Cartouche.

**NOTE:**

Si le voyant Fonctionnement de la Poignée clignote, refermez la poignée et attendez que le voyant vert soit allumé fixement, alors soulevez la poignée et insérez la cartouche.

2. Insérez la cartouche.
3. Poussez la cartouche dans le lecteur.
4. Refermez la poignée en poussant.

**NOTE:**

Pour prévenir une défaillance de la poignée, aidez doucement la poignée à reprendre sa position fermée. Ne la forcez pas.

Le voyant vert s'éteint et le voyant jaune clignote pour indiquer que la cartouche est chargée. Lorsque la bande est au repère BOT, le voyant jaune s'allume fixement. La bande est maintenant prête à l'emploi.



Figure 3-8 montre comment charger une cartouche dans le lecteur.

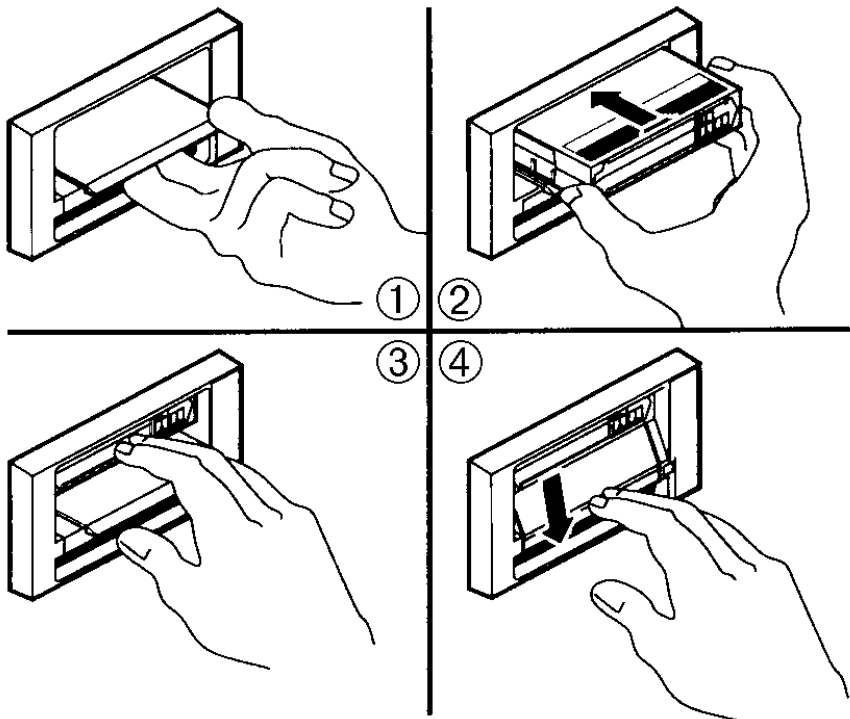


Figure 3-8 Charger une Cartouche

### 3.7.1. Avancement de la Bande

Dès que le voyant jaune Avancement de la Bande est allumé fixement, la bande est prête à l'emploi. Lorsque le lecteur est calibré, qu'il écrit, lit, ou rembobine, le voyant Avancement de la bande clignote.

Utilisez le Tableau 3-5 pour déterminer ce qui se passe pendant l'utilisation d'une cartouche.

Si ...	Cela signifie que ...
Le voyant jaune est allumé fixement	Une cartouche est chargée, mais la bande n'avance pas. Ceci peut vouloir dire qu'aucune application ne communique avec le contrôleur, ou que l'application communique mais ne transmet pas les directives auxquelles doit répondre la bande.
Le voyant jaune clignote irrégulièrement	Une calibration d'écriture ou de lecture est en cours.
Le voyant jaune clignote régulièrement	La bande se charge, se décharge ou rembobine.
Le voyant vert s'allume et le beeper sonne	La bande n'est chargée dans la cartouche et cette dernière ne peut être retirée, ou si le lecteur est déchargé, une cartouche ne peut être insérée.
Les quatre indicateurs clignent	Une erreur est survenue pendant l'opération. Voir Tableau d'Aide en cas de Problèmes Techniques 2-4.

*Table 3-5 Ce qui se passe pendant l'Utilisation d'une Cartouche (Voyants côté droit)*

### 3.8. Utiliser la Cartouche de Nettoyage (Cartouche de Nettoyage Tandberg Data P/N 43 18 78)

Utilisez la Tableau 3-6 pour déterminer:

Si ...	Cela signifie ...	Et vous devez ...
1. Lorsque le voyant de Nettoyage de bande se manifeste (Figure 3-6)	Le tête nécessite un nettoyage ou la bande est mauvaise (voir item 3)	Utiliser la cartouche de nettoyage. Suivez les instructions de la Section 3.7. pour charger la cartouche dans le lecteur. Lorsque le nettoyage est effectué, le voyant de Nettoyage de cartouche s'éteint et le beeper sonne pour vous signaler de retirer la cartouche de nettoyage.
2. Une Cartouche de données fait clignoter le voyant de Cartouche Nettoyage	La cartouche de données peut être endommager	Sauvegarder les données sur une autre cartouche. Débarrassez-vous de la vieille cartouche qui est peut-être endommagée. Une cartouche défectueuse peut occasionner des nettoyages inutiles.
3. Le voyant de Cartouche de Nettoyage fonctionne encore après le nettoyage	Votre cartouche de données est peut-être la responsable du problème	Essayez une autre cartouche de données.
4. Le voyant de Cartouche de Nettoyage fonctionne encore après l'insertion de celle-ci	Le nettoyage n'a pas été effectuée et votre cartouche de nettoyage est obsolète	Remplacez la cartouche de nettoyage.

*Table 3-6 Quand utiliser la cartouche de Nettoyage*

**NOTE:**

La cartouche de nettoyage est obsolète après 20 passages.

### 3.9. Décharger une cartouche

**ATTENTION!**

**Retirez la cartouche du lecteur avant d'éteindre votre système. Une défaillance d'éjection de la cartouche peut endommager la cartouche ou le lecteur. Lorsque vous retirez la cartouche du lecteur, rangez la dans son étui plastique pour prolonger sa vie.**

Pour décharger une cartouche du lecteur (Figure 3-9):

1. Appuyez sur le bouton Déchargement (ou la commande logicielle appropriée). Le voyant jaune d'Avancement de la bande clignote pendant que la bande se rembobine.
2. Lorsque le voyant vert s'allume (the beeper sonne), tirez la poignée insertion/retrait de cartouche pour éjecter la cartouche.

**ATTENTION!**

**Une extraction immédiate de la cartouche peut endommager l'extracteur de bande. Attendez une ou deux secondes pour retirer la cartouche et ainsi éviter ce problème.**

3. Retirez la cartouche.
4. Refermez la poignée en poussant.

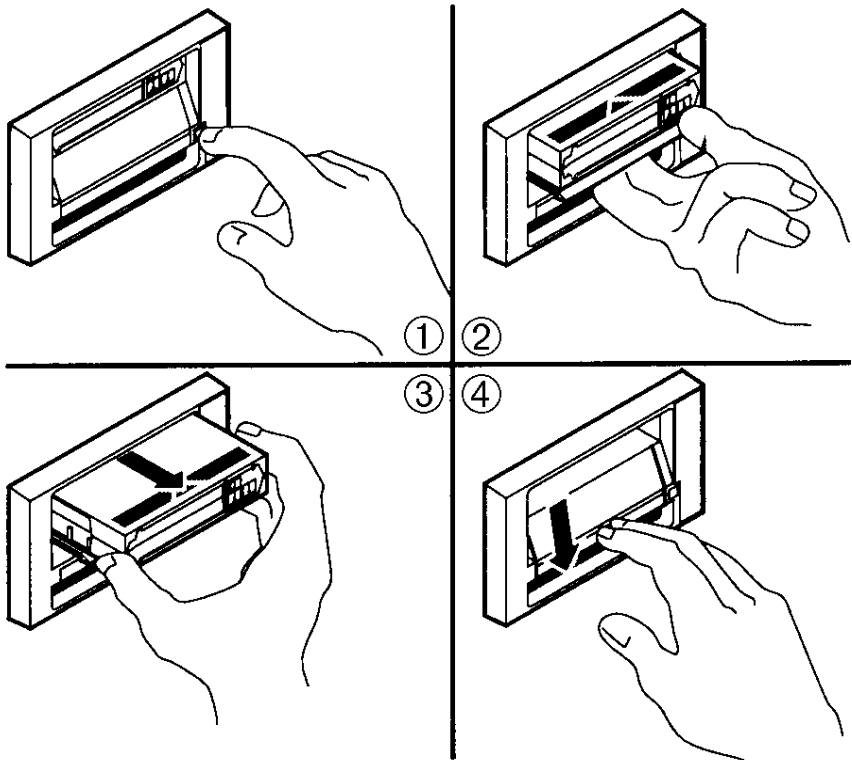


Figure 3-9 Décharger une Cartouche

### 3.10. Conserver les Cartouches

Pour une durée de vie plus longue des cartouches enregistrées ou vierges, stockez les cartouches dans un environnement qui remplisse ces conditions:

- Ne malmenez pas et ne heurtez pas la cartouche. Ceci peut déplacer l'extracteur de bande, rendre la cartouche inutilisable et éventuellement endommager le lecteur.
- Gardez les cartouches à l'écart du contact direct du soleil et loin des sources de chaleurs.
- Stocker les cartouches dans des températures entre 10°C et 40°C (50°F à 104°F). Pour une durée de vie plus longue, stockez toujours les cartouches dans leur étui plastique et dans un endroit dont la température varie entre 22°C ± 4°C (72°F ± 7°F)
- Si la cartouche a été exposée à des chaleurs ou des froids extrêmes, stabilisez la cartouche à la température ambiante pendant la même période de temps que son exposition—jusqu'à 24 heures.
- Ne placez pas les cartouches à proximité de sources d'interférences électromagnétiques, comme des terminaux, moteurs, vidéo ou équipement à rayon X. Les données sur la bande peuvent être altérées.
- Stockez les cartouches dans un environnement sans poussière où l'humidité relative oscille entre 20% et 80%. Pour une durée de vie plus longue, stockez les cartouches dans une humidité relative variant de 40% ± 20%.
- Placez une étiquette d'identification uniquement dans l'emplacement réservé à cette effet sur le devant de la cartouche.
- N'en collez surtout pas ailleurs que sur cet emplacement.

### 3.11. Procédure de Mise à Jour

La section 3.11. décrit la procédure pour mettre à jour le firmware du contrôleur du sous-système Tandberg Data DLT4000. La mise à jour est faite à partir d'une cartouche qui stocke le firmware référence. La mise à jour du firmware par la carte est aussi possible.

Les mise à jour du firmware sont réalisables sur le Tandberg DLT4000 avec ou sans chargeur de média. Les étapes pour réaliser une mise à jour sont toutes similaires. Pour mettre à jour le firmware avec:

- la seule configuration du lecteur, voir la *Section 3.11.1 Mise à Jour du Firmware sur le Lecteur Tandberg (Par la seule configuration du Lecteur)*

**ATTENTION!**

**N'éteignez jamais le courant, si vous pensez que le firmware est en train d'être mis à jour. Cela peut endommager le contrôleur.**

### **3.11.1. Mise à Jour du Firmware sur le Lecteur Tandberg DLT4000 (Par la seule Configuration du Lecteur)**

1. Procurez-vous une cartouche DLTtape III, DLTtape IIIxt, ou DLTtape IV avec la bonne version de firmware que vous désirez mettre à jour dans votre lecteur.
2. Mettez le sous-système Tandberg DLT4000 en mode de mise à jour firmware. Pour ce faire:
  - a. Retirez toute cartouche du lecteur DLT4000 et fermez la poignée (position abaissée).
  - b. Appuyez sur le bouton Déchargement en face avant du lecteur et maintenez la pression (environ 6 secondes) jusqu'à ce le voyant de Protection en Ecriture clignote. Ceci signifie que le sous-système Tandberg DLT4000 a reconnu votre requête de mise à jour du firmware et est en attente de réaliser l'opération.

Si le voyant de Protection en Ecriture ne clignote pas, vérifiez que

1. POST est terminé
2. Le lecteur est déchargé
3. La poignée est en position abaissée
- c. Relâchez le bouton Déchargement et vous disposez de 4 secondes pour ré-appuyer dessus. Cette deuxième pression doit prendre moins d'une seconde.
- d. Les voyants Avancement de Bande et Protection en Ecriture clignent, le sous-système a reconnu que le mode de mise à jour du firmware a été sélectionné.
- e. Si la sélection du le mode de mise à jour du firmware a échoué (par exemple, parce que vous avez appuyer plus d'une seconde lors de la seconde pression), le voyant de Protection en Ecriture doit s'arrêter de clignoter durant plusieurs secondes. Recommencer la procédure.



Si le lecteur et le contrôleur ne communiquent pas parfaitement, vous ne pouvez sélectionner la mise à jour du firmware.

3. Vous avez sélectionné le mode de mise à jour du firmware, insérez une cartouche dans le lecteur, ce qui:
  - a. Eteint temporairement les voyants Avancement de Bande et Protection en Ecriture..

**NOTE:**

La calibration et le déroulement du répertoire peuvent faire travailler la bande pendant plusieurs minutes avant que les données ne soient lues.

- b. Lit automatiquement la cartouche
- c. Examine les données
- d. Vérifie que les données sont une référence validé du firmware DLT4000

Le mode de mise à jour du firmware est automatiquement découvert à ce moment. Si la référence firmware est valable et:

- Si le code lecteur a dépassé la date, le code lecteur n'effectue pas de mise à jour.
- Si le code lecteur n'a pas dépassé la date, le code lecteur effectue une mise à jour, qui prend deux à trois minutes.

4. Pendant que le code lecteur effectue la mise à jour, les voyants Protection en Ecriture et Avancement de la Bande clignotent alternativement.
5. Lorsque la mise à jour du code lecteur est effectuée, le lecteur se remet à zéro, et effectue auto-test de démarrage (POST). Ceci jusqu'à ce que la bande soit rechargée au début (BOT).
6. Si la référence firmware est valable, la mémoire flash EEPROM du contrôleur est automatiquement mise à jour avec une nouvelle référence firmware. Les voyants Protection en Ecriture et Avancement de la Bande clignotent encore pendant la mise à jour.

### 3.11.1.1. Interpréter les Résultats (Mise à jour Code Tandberg DLT4000)

Deux résultats possibles peuvent survenir:

- La cartouche de mise à jour firmware est déchargée: ceci signifie que la mise à jour est réussie.

Sur un lecteur DLT4000, le média est placé dans la cartouche, la porte est déverrouillée et le voyant vert Fonctionnement de la Poignée est allumé.

- La cartouche de mise à jour firmware N'EST PAS déchargée: ceci signifie que la mise à jour a échoué.

Le sous-système peut être encore utilisable, mais cela dépend de la raison pour laquelle la mise à jour a échoué. Ces raisons peuvent être:

1. Problème d'alimentation
2. Mauvaise référence sur la bande
3. Flash EEPROM hors d'usage

Le Tableau 3-7 ci-dessous donne des indications supplémentaires:

<b>Si...</b>	<b>Alors...</b>
L'référence est valable	<ol style="list-style-type: none"> <li>1. La flash EEPROM contenant le firmware courant est effacée.</li> <li>2. La nouvelle référence est programmée. Le sous-système réalise la mise à jour en environ 2 minutes. Alors: <ul style="list-style-type: none"> <li>• Le lecteur se remet à zéro.</li> <li>• Le POST s'exécute.</li> <li>• Le lecteur décharge auomatiquement la cartouche contenant la référence firmware, alors vous pouvez retirer la cartouche. Ceci est la preuve d'une mise à jour réussie.</li> </ul> </li> </ol>
<ol style="list-style-type: none"> <li>1. La bande N'EST PAS une bande correcte de mise à jour</li> <li>2. La bande ne contient pas une référence valable</li> </ol>	Aucune mise à jour n'est tentée. Les voyants Protection en Ecriture et Avancement de la bande ne clignotent pas. Le lecteur se remet à zéro et la bande reste chargée pour signaler que la mise à jour a échoué.
La bande contient une référence valable, mais pour une raison la re-programmation de la mémoire flash échoue	Le contrôleur est probablement inutilisable et a besoin d'être remplacé. Le lecteur se remet à zéro et relance un POST, qui échoue si la mémoire flash ne contient une référence valable.

*Tableau 3-7 Résultats Mise à jour Code (Tandberg DLT4000)*

*Cette page a été laissée en blanc  
intentionnellement*